

HITACHI PROGRAMMABLE CONTROLLER

# HIDIC EH-150

---

## Optical Type CPU LINK MODULE

**EH-OLNK** (support to SI200/220  $\mu$  m cable)

**EH-OLNKG** (support to GI50/125  $\mu$  m cable)

**EH-OLNKE** (support to GI62.5/125  $\mu$  m cable)

## APPLICATION MANUAL

---

NJI-395A(X)

## ○ Warranty period and coverage

The warranty period is the shorter period either 18 months from the date of manufacture or 12 months from the date of installation.

However within the warranty period, the warranty will be void if the fault is due to;

- (1) Incorrect use as directed in this manual and the application manual.
- (2) Malfunction or failure of external other devices than this unit.
- (3) Attempted repair by unauthorized personnel.
- (4) Natural disasters.

The warranty is for the PLC only, any damage caused to third party equipment by malfunction of the PLC is not covered by the warranty.

## ○ Repair

Any examination or repair after the warranty period is not covered. And within the warranty period any repair and examination which results in information showing the fault was caused by any of the items mentioned above, the repair and examination cost are not covered. If you have any questions regarding the warranty please contact either your supplier or the local Hitachi Distributor. (Depending on failure part, examination might be impossible.)

## ○ Ordering parts or asking questions

When contacting us for repair, ordering parts or inquiring about other items, please have the following details ready before contacting the place of purchase.

- (1) Model
- (2) Manufacturing number (MFG no.)
- (3) Details of the malfunction

### **Warning**

- (1) This manual may not be reproduced in its entirety or any portion thereof without prior consent.
- (2) The content of this document may be changed without notice.
- (3) This document has been created with utmost care. However, if errors or questionable areas are found, please contact us.

MS-DOS®, Windows®, and Windows NT® are registered trademarks of America and other registered countries of Microsoft Corp. of the United States.

# Safety Precautions

Read this manual and related documents thoroughly before installing, operating, performing preventive maintenance or performing inspection, and be sure to use the unit correctly. Use this product after acquiring adequate knowledge of the unit, all safety information, and all cautionary information. Also, make sure this manual enters the possession of the chief person in charge of safety maintenance.


Safety caution items are classified as “Danger” and “Caution” in this document.



: Cases where if handled incorrectly a dangerous circumstance may be created, resulting in possible death or severe injury.




: Cases where if handled incorrectly a dangerous circumstance may be created, resulting in possible minor to medium injury to the body, or only mechanical damage.

However, depending on the circumstances, items marked with  **CAUTION** may result in major accidents.


In any case, they both contain important information, so please follow them closely.

Icons for prohibited items and required items are shown below:



: Indicates prohibited items (items that may not be performed). For example, when open flames are prohibited,  is shown.



: Indicates required items (items that must be performed). For example, when grounding must be performed,  is shown.

## 1. Attachments

### CAUTION

- To be used in environments stipulated in the catalogue and in this document. Usage in environments that subject the equipment to high temperatures, high humidity, dirt and dust, corrosive gas, vibrations and shocks may result in electric shocks, the outbreak of fire and malfunctions.
- Ensure that all attachments are made in accordance with the instructions provided in the instruction manual. If the attachment procedures are ill-prepared, it may result in dropped equipment, damage and malfunctions.
- Ensure that cable clippings and other foreign objects do not enter the equipment. Failure to observe this may result in the outbreak of fire, damage and malfunctions.

## 2. Wiring

### CAUTION

- Ensure that the equipment is connected to a rated power supply. Connecting the equipment to non-rated power supplies may result in the outbreak of fire.
- Ensure that all wiring procedures are performed by qualified technicians. Wrong wiring may result in the outbreak of fire, damage and electric shocks.
- The wire which supplies a power supply to the module is to use shield line. And, wiring is to separate from other power line, signal lines.
- Optical fiber cable which connects modules is different from the usual electric cable, and very delicate. Therefore, when handling is mistaken, optical fiber is sometimes out. Be careful of handling of optical fiber cable.

## 3. Maintenance

### PROHIBITED

- Never dismantle or remodel the equipment. Failure to observe this may result in the outbreak of fire, damage and malfunctions.

### CAUTION

- Ensure that the power supply to the modules and units that are to be disconnected has been switched off. Failure to observe this may result in electric shocks, malfunctions and damage.

# CONTENTS

<b>Chapter 1. Foreword</b>	<b>1-1 to 1-2</b>
1.1 Before use .....	1-1
1.2 Precautions during use .....	1-2
1.3 Usable CPU modules .....	1-2
<b>Chapter 2. Specifications</b>	<b>2-1 to 2-2</b>
2.1 General specifications .....	2-1
2.2 Function specifications .....	2-1
2.3 Transmission specifications .....	2-1
2.4 Defference with upper H series equipment .....	2-2
<b>Chapter 3. Configuration</b>	<b>3-1 to 3-2</b>
3.1 Part names and functions .....	3-1
3.2 Module information display LED .....	3-2
<b>Chapter 4. Basic CPU Link Operations</b>	<b>4-1 to 4-6</b>
4.1 System Configuration .....	4-1
4.2 CPU link functions .....	4-2
4.3 Function for accessing other stations .....	4-5
4.4 Link data refresh time .....	4-5
4.5 Method of confirming link data validation .....	4-6
4.5.1 Link Error Flag Area .....	5-1
4.5.2 Example of Effective check of Link Data .....	5-1
<b>Chapter 5. Installation and start-up</b>	<b>5-1 to 5-4</b>
5.1 Installation .....	5-1
5.1.1 Installation position .....	5-1
5.1.2 Loading the module .....	5-2
5.1.3 The connection of the optical fiber cable .....	5-2
5.1.4 The supply of 5V DC for the bypass function .....	5-3
5.1.5 Precaution in mounting .....	5-3
5.2 Start-up .....	5-4
5.3 Participating in and leaving link system .....	5-4
<b>Chapter 6. Error and error recovery</b>	<b>6-1 to 6-8</b>
6.1 Errors .....	6-1
6.2 Error displays .....	6-2
6.3 Clearing errors .....	6-2
6.4 Troubleshooting .....	6-3
6.4.1 Self-diagnosis errors .....	6-3
6.4.2 Error troubleshooting by error .....	6-3
<b>Chapter 7. Maintenance and Inspections</b>	<b>7-1 to 7-2</b>
7.1 Daily inspections .....	7-1
7.2 Regular inspections .....	7-1
7.3 Loop-back check .....	7-2

Appendix.1. CA Connector ASSY The designated method in the purchase .....A -1  
Appendix.2. General precautions in handling optical fiber cables .....A -3  
Appendix.3. The method to measure the optical loss level .....A -3

# Chapter 1 Foreword

Thank you for using the Hitachi EH-150 Programmable Controller series (hereinafter known as the PLC.) This manual explains how to use the optical type CPU link module (hereinafter known as the EH-OLNK) with the Hitachi EH-150 Programmable Controller. Read this manual thoroughly and use it when performing installation operations, maintenance checks and other procedures. The following documentation related to PLC is also available and should be used together with this manual.

Table 1.1 List of Explanatory Documentation

Items	Name of documentation	Number of Manual
Main system of EH-150	EH-150 Application Manual	NJI-281*
Programming Software	LADDER EDITOR ( for MS-DOS ) LADDER EDITOR for Windows®(Windows®95/98/NT4)	NJI-206/299 NB-325
Optical type CPU Link module	Optical type CPU Link module Application Manual	NJI-395*

\* The end of the manual number will differ in accordance with upgraded versions, etc.

Note that the contents of this manual are subject to amendment without prior notice.

About EH-OLNKG and EH-OLNKE the function of Link is the same as standard models (EH-OLNK), except for optical fiber cable. See the following about an application of optical fiber cable. The details refer to an appendix.

Table 1.2 Applicable optical fiber cable

Models	Applicable optical fiber cable	Cable models (Connector attachment)
EH-OLNK	Many ingredients glass fiber (step index type 200/220 micron)	CA7103-[1]M-[2]L[3]1
EH-OLNKG	Quartz glass fiber (graded index type 50/125 micron)	CA9103S-[1]M-[2]L[3]1
EH-OLNKE	Quartz glass fiber (graded index type 62.5/125 micron)	CA9103S-[1]M-[2]L[3]1-625

[1]Cable length [2]Cable type [3]Cord number

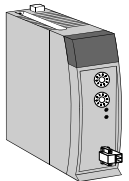
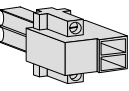
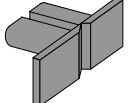
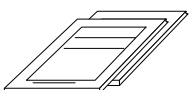
## 1.1 Before use

Great care has been taken in the manufacture of this product, but it is advised that the following points are checked immediately after purchase.

1. Is the model the same one that you ordered?
2. Has the product been damaged in any way?
3. Are any of the accessories listed in table 1.2 missing?

Contact your dealer in the event of any defects being discovered.

Table 1.3 List of Accessories Supplied with the Optical CPU Link module

No.	Products name	Model number	Outlook	Pcs	Remarks
1	Optical type CPU Link Module	EH-OLNK (EH-OLNKG) (EH-OLNKE)		1	
2	Connector for the 5VDC supply	BL3.5/2F		1	Made by WEIDMÜLLER CO., LTD.
3	Connector cover for the optical cable insertion.	---		1	
4	Instruction manual	NJI-394*(X)		1	* The end of the manual number will differ in accordance with upgraded versions, etc.

## 1.2 Precautions during use

1. Installation of optical CPU link module is different by a CPU module as follows.

Table 1.4 Installation of optical CPU link module

CPU Type	Installation position
EH-CPU308A/316A	Slot 0 to 2 of the basic base (EH-BS3(A)/BS5(A)/BS8(A)).
EH-CPU448 /448A	Slot 0 to 2 of the basic base (EH-BS3(A)/BS5(A)/BS8(A)).
EH-CPU516 /548	Slot 0 to 7 of the basic base (EH-BS3A/BS5A/BS8A/BS11A). Slot 0 to 2 of the basic base (EH-BS3/BS5/BS8).

2. A maximum of two modules that have been I/O assigned as "CPU Link" can be installed in each CPU.
3. Do not plug in and unplug the optical cable until the power supply to the base on which the optical type link module has been installed has been switched off.
4. Do not attach or detach the optical type link module until the power supply to the base on which the module has been installed has been switched off.
5. Do not plug in or unplug the transmission cable or other cables during communications.

## 1.3 Usable CPU modules

Optical type CPU link module can be used in combination with the following types of CPU module. Note that the link data will become unstable and access to other stations with peripheral devices will not be possible if Optical type CPU link module is mistakenly used in combination with CPU modules other than those listed below.

Table 1.5 CPUs that can be used with Optical CPU link module

CPU Type	Version
EH-CPU104 / 208	Not supported
EH-CPU308 / 316	
EH-CPU104A / 208A	
EH-CPU308A	Ver. A2.03 or later *
EH-CPU316A	Ver. B2.03 or later *
EH-CPU448	Ver. C3.22 or later Ver. C4.04 or later
EH-CPU448A	CPU of all versions can use a CPU link module.
EH-CPU516/548	CPU of all versions can use a CPU link module.

\*The 1st Version of this CPU is A203 / B203. Therefore CPU link module is supported by all the versions of this CPU.



# Chapter 2 Specifications

## 2.1 General specifications

Table 2.1 General specifications

Item		Specification
General Specification	Operating temperature	0 to 55 °C
	Preserving temperature	-10 to 75 °C
	Operating humidity	No condensation 20 to 90% RH
	Preserving humidity	No condensation 10 to 90% RH
	Current consumption	5V DC approx. 480mA
	I/O assignment	CPU Link
	Earth	D-type earth

## 2.2 Function specifications

Table 2.2 Function specifications

Item		Specification
Function Specification	No. of connected Link module	Max. 64 units per Link system
	No. of mounted units	Max. 2 units per CPU ( 2 Link systems per CPU )
	No. of Link points	1,024 words per Link system ( 2,048 words per CPU ) <sup>*1</sup>
	Data delivery system	Common data area system
	Send / Receive distinction on data area allocation	parameter setting from peripheral device
	Designation of station No.	0 to 63: designated by rotary switch
	Communication speed	1.0 Mbps
	Transfer method	Half-duplex serial transfer, frame synchronization
	Communication method	Token passing
	Modulation method	Base band
	Refresh time	At the time of transfer of 1,024 words with 64 stations connected --- approx. 390ms <sup>*2</sup>
	Error check	CRC, overrun check, time-out, open circuit, parameter error (dual designation of station No., overlapped Link area, etc. )
	Self-diagnosis	System ROM / RAM check, watchdog timer check, transfer loop back check.

\*1: Storage during power cuts is not possible.

\*2: Apart from when peripheral devices are performing simultaneous access with the use of the link.

## 2.3 Transmission route specifications

Table 2.3 Transmission route specifications

Item		Specification	
Transmission specifications	Transfer path form	Loop type	
	Cable length	Between stations	Max. 1,000 m <sup>*1</sup>
		Total extension	Max. 15,000 m
	Error station processing	Bypass system (When 5V DC is supplied from the outside.)	
	Recommended cable and connector	Refer to an appendix 1 for the details of the recommendation cable.	

\*1: Cable length between stations is MAX 2,000m in EH-OLNKG/OLNKE.

## 2.4 Differences with upper level H series equipment

Table 2.4 shows the differences for use with large upper level H series equipment.

Table 2.4 Differences with upper level H series equipment

Item		EH-OLNK(OLNKG/OLNKE)	OLINK-H(HG/HE) / OLINK-SH(SHG)
Hardware Specifications	Usable CPU module	EH-CPU308A, EH-CPU316A* <sup>1</sup> EH-CPU448(A)* <sup>1</sup> EH-CPU516, EH-CPU548* <sup>1</sup>	CPU3-40H, CPU2-20H, CPU-20Ha, CPU2-10H, CPU2-07H, CPU-07Ha, CPU2-03H, CPU-03Ha
	Slot width	1 slot	1 slot ( OLINK-SH(SHG) ) 2 slots ( OLINK-H(HG/HE) )
	Bypass relay* <sup>2</sup>	Exist (No bypass cassette or bypass module)	Fitted with a bypass cassette as standard.
	7 segment display	None	displays error information
	Module information display LED	RUN, ERR, TXD, RXD	ERR, SEND, REC
	Error indication select switch	None	Select error indication
	Check mode select switch	None	Selects check mode
	Mount position	Can be installed in slots #0 to #2 on the basic base.* <sup>3</sup>	Can be installed in any slot on the basic base. * <sup>4</sup>
Mount units	Max. 2 units per CPU* <sup>5</sup>	Max. 2 units per CPU	

\*1: There are cases where support is not yet available depending on the CPU version. Refer to section 1.3 for further details.

\*2: A bypass relay is the device to pass the data from other stations at the time of power supply off.

\*3: A CPU link module is different in an installation position by a base unit to use in EH-CPU516/548. Refer to section 1.2 for further details.

\*4: OLINK-SH(G) cannot be installed into slot #0.

\*5: A maximum of two modules that have been I/O assigned as "CPU Links" can be installed. When modules other than this module (EH-RMP, etc.) are assigned as "CPU Links" and installed, the number of CPU link modules that can be installed will be reduced in direct relation to the number installed.

See the following about an application of optical fiber cable.

Table 2.5 Applicable optical fiber cable

EH-150 Models	H Series Models	Applicable optical fiber cable	Cable models (Connector attachment)
EH-OLNK	OLINK-H OLINK-SH	Many ingredients glass fiber (step index type 200/220 micron)	CA7103-[1]M-[2]L[3]1
EH-OLNKG	OLINK-HG OLINK-SHG	Quartz glass fiber (graded index type 50/125 micron)	CA9103S-[1]M-[2]L[3]1
EH-OLNKE	OLINK-HE	Quartz glass fiber (graded index type 62.5/125 micron)	CA9103S-[1]M-[2]L[3]1-625

[1]Cable length [2]Cable type [3]Cord number

# Chapter 3 Configuration

## 3.1 Part names and functions

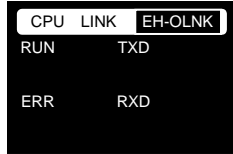
Name and function of each part		Type	EH-OLNK
<p>1] Lock button</p> <p>2] Module information display LED</p> <p>3] Station No. setting switch (10-digits)</p> <p>4] Station No. setting switch (1-digits)</p> <p>5] Error display clearance switch</p> <p>6] Reset switch</p> <p>7] Connector for 5V DC supply</p> <p>8] Connector for Optical type cable (RXD)</p> <p>9] Connector for Optical type cable (TXD)</p> <p>&lt; Module bottom view</p>			EH-OLNKG
			EH-OLNKE
		Weight	Approx. 0.15 kg
		Dimensions(mm)	
No.	Name	Function	Remarks
1]	Lock button	When dismantling the module from a base unit, press this button and lift up the module. The module can be fixed firmly using a screw (M4, 10 mm).	
2]	Module information display LED	Displays data transmission and receipt, error information and other details. Refer to the section on LED display for further details.	
3]	Station No. setting switch (10-digits)	These switches are for station number setting. This information is refreshed at the power ON or when the reset switch is pressed. The setting range is from 00 up to 63. (Ex.) Station No. 18	- Station No. error will be detected when 64 or higher is set. - When station no. is duplicated, duplicate station No. error detected. - When No.00 station does not exist, the link system does not work.
4]	Station No. setting switch (1-digits)	10-digits ... 1                      1-digits ... 8	
5]	Error display clearance switch	Clears the contents of the ERR LED display (the error will be displayed again if the cause is not resolved.)	The ERR LED will be off. The CPU error information will not be cleared.
6]	Reset switch	For hardware reset.	*
7]	Connector for 5V DC supplies.	It is used when a bypass function is used.	
8]	Connector for optical type cable (TXD / RXD)	Connector for transmission cable. Please connect to RXD connector of next station, and connect to TXD connector of next station with optical cable.	

\* The CPU module will detect a "Link Module Error (error code: 59H)" when the reset switch is pressed. Resolve the CPU module error after the link module resumes normal operations when the reset switch has been pressed.

## 3.2 Module information display LED

Descriptions of the module information display for all LEDs are provided in table 3.1.

Table 3.1 Module Status display LED

Outlook	Name	Color	Contents
	TXD	Green	Blinking when data is being transmitted.
	RXD	Green	Blinking when data is being received.
	RUN	Green	Lighting when the link module is operating normally.
	ERR	Red	Normal operations: Off "data link possible" error: Blinks (1s cycle) "data link not possible" error: Blinks (0.5s cycle) or lighting*

\* Refer to section 6.2 (Error Displays) for further details on displays.

# Chapter 4 Basic CPU Link Operations

## 4.1 System Configuration

An example of the optical type CPU link module configuration is shown in figure 4.1.

It is possible to connect up the EH-150 CPU link modules together with upper level H series CPU link modules. As indicated in figure 4.1, it is possible to use both upper level H series optical type CPU link modules and CPU modules in a link system loop.

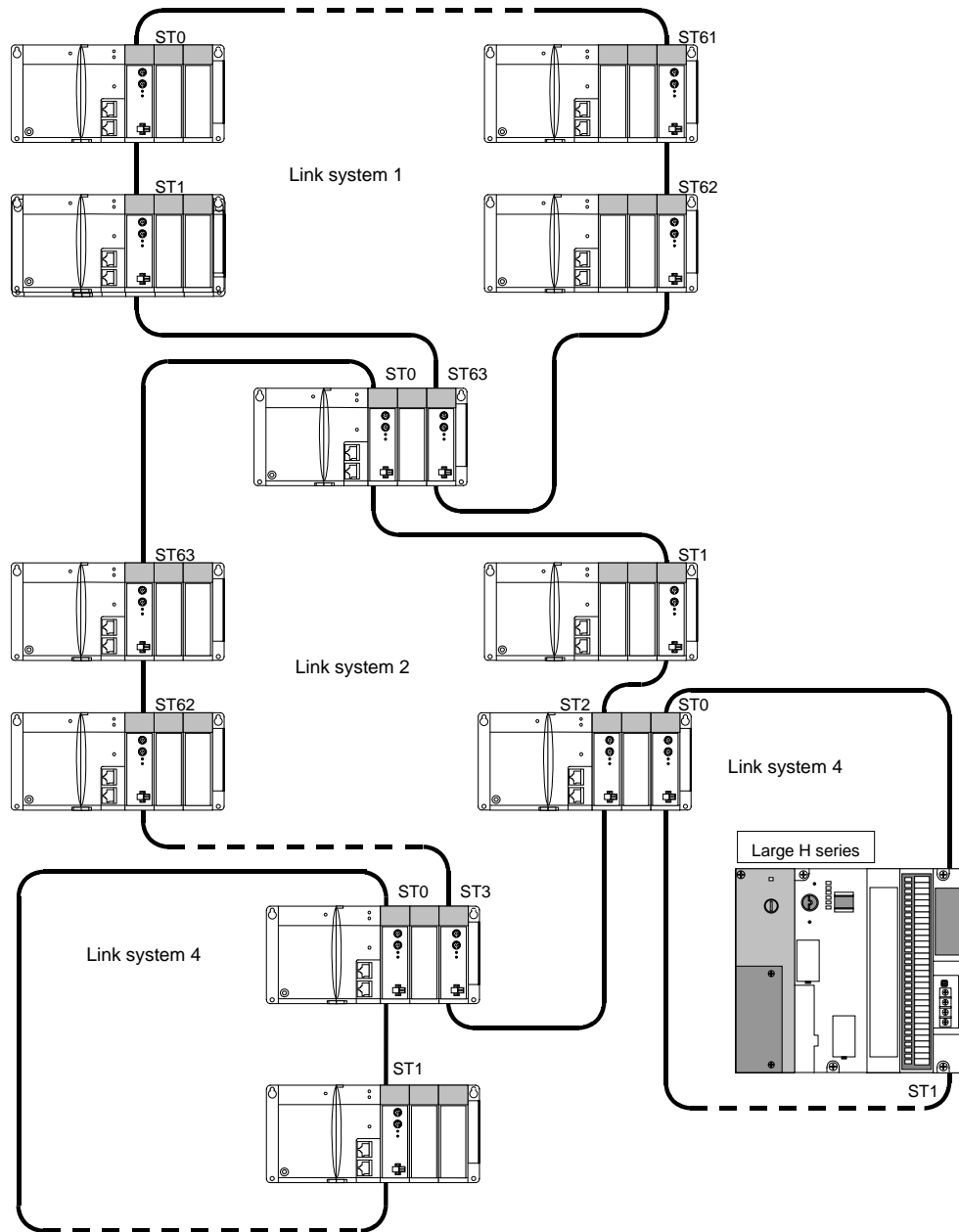


Figure 4.1 Example of a CPU Link System Configuration

A maximum of two Link modules can be installed into 0-2 slots on a single basic base unit. (Link module can install in 0-7 slots on a basic base unit by using EH-CPU516/548 and EH-BS3A/5A/8A/11A..) Although link modules cannot be installed onto additional bases. It is also possible to connect a maximum of 64 units onto one link system. (At least one unit must be assigned as station No.0 (master station) on a link system.)

The length of the transmission route can be up to 1,000m between stations, and have a total length of 15,000m for the link system

### Caution

No.00 station(master station) must exist in link system. When No.00 station is not exist, and link operation and RUN LED turns off or ERR LED is flickering every 0.5s. When No.0 station is not exist, own station error information(WRF0E0, WRF140) remains H0000.(The information which No. station is not exist is not stored to own station error information.)

## 4.2 CPU link functions

A transmission area and a receiving area are assigned to the CPU's link area, and all link operations are performed via these areas. The link areas can be assigned arbitrarily in units of 16 points (1 word) for each CPU.

The link modules that perform the link operations are set between station No.s 0 to 63 with the rotary switch. As shown in figure 4.2, the link operations between stations establish the areas assigned in each station as the transmission area to other stations, and the other areas as the receiving areas from other stations.

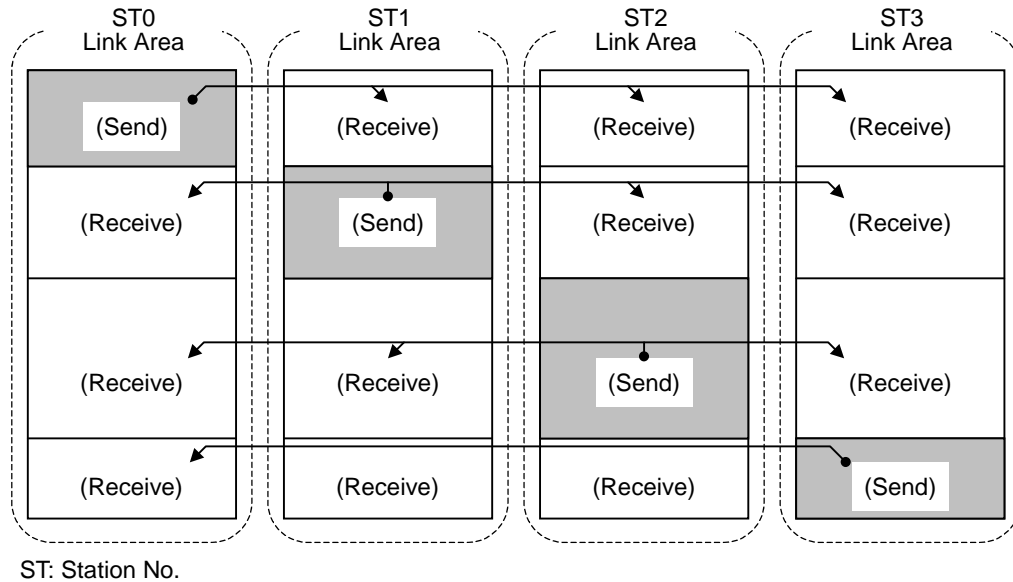


Figure 4.2 Concept behind link areas

### (1) Link area assignment

As shown in figure 4.2, the CPU link areas are equipped to handle 1,024 words for each optical type CPU link module. As a maximum of two optical type CPU link modules can be installed for each CPU, this means that a single CPU possesses a link area for 2,048 words.

The link areas are assigned with the use of peripheral devices (LADDER EDITOR for Windows/Portable diagram programmer/Command language programmer, etc.) Refer to the manual for each relevant peripheral device for further details on usage methods.

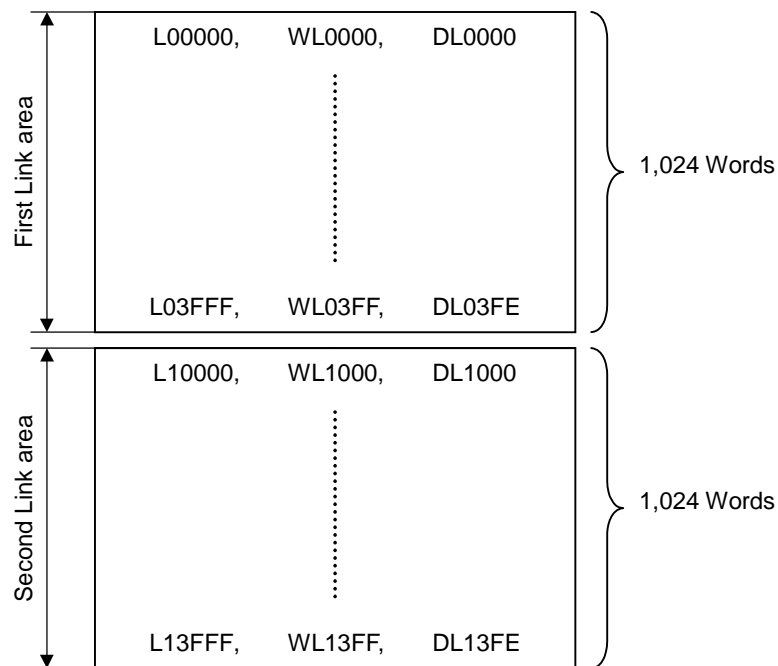


Figure 4.3 CPU module link areas

**(2) Link area identification**

When two optical type CPU link modules have been installed, the first and second link areas are identified in accordance with their installation position. The slots are counted in 0, 1, 2 sequence from the right-hand side of the CPU, and the CPU link module with the smallest number is assigned as the first unit, with the other unit assigned as the second CPU link module. The first CPU link occupies the first link area, and the second CPU link occupies the second link area. When only one unit has been installed, it is assigned to the first CPU link area.

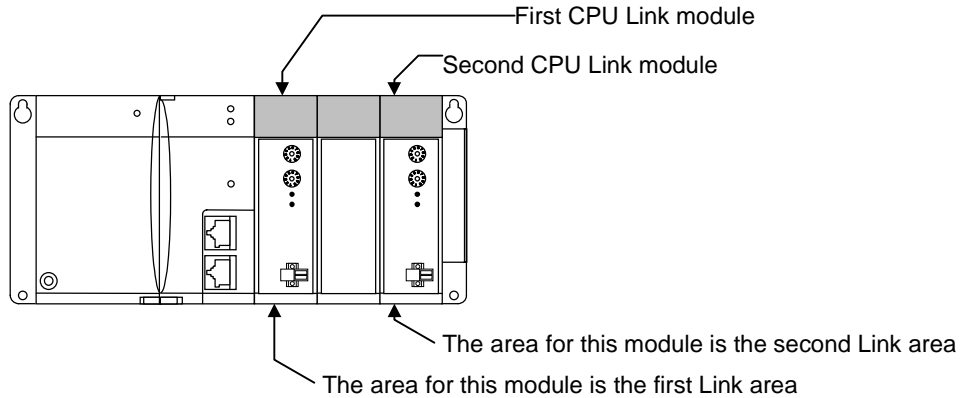


Figure 4.4 Link area identification

An example of a CPU link system configuration is shown in figure 4.5. In the system configuration shown in figure 4.5, the optical type CPU link module (ST1) with CPU (A) is located in the first CPU link position, and link data assignment with CPU (A) is carried out within the first CPU link area. In addition to this, link data assignment for the CPU (B) optical type CPU link module (ST2) is also carried out in the first link area when viewed from CPU (A).

As the optical type CPU link module (ST2) with CPU (B) is also in the second CPU link position, link data assignment with the CPU (B) is carried out in the second link area. Also, link data assignment for the CPU (A) optical type CPU link module (ST1) is carried out in the second link area when viewed from CPU (B).

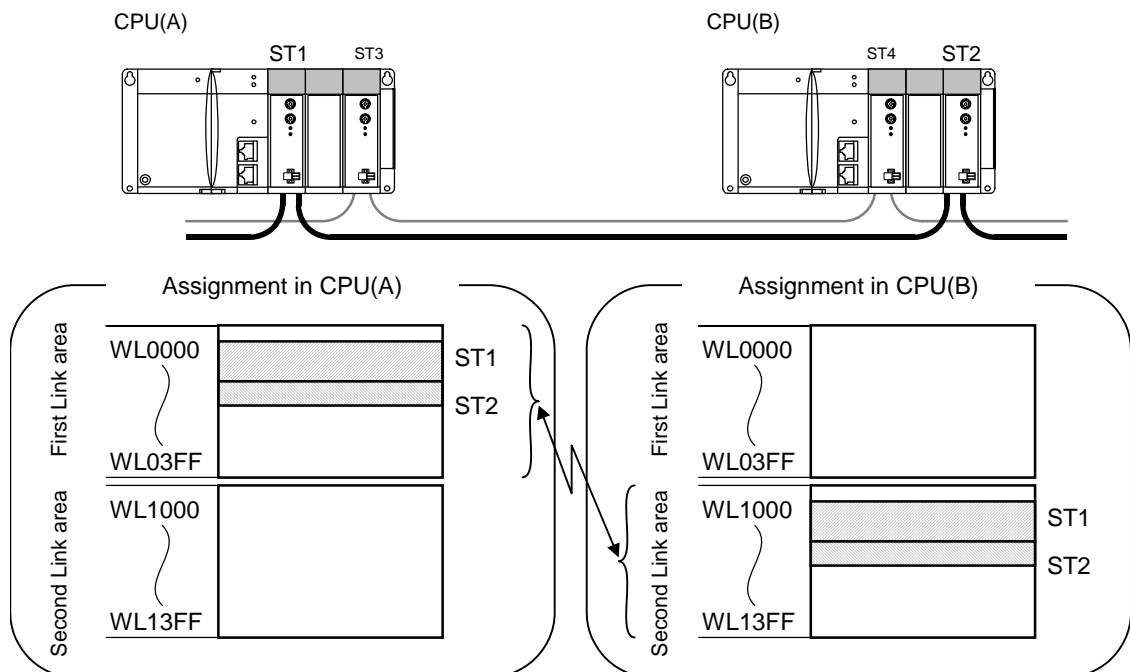


Figure 4.5 Example of link data assignment

**(3) Precautions related to assignment duplication**

Link areas assigned in local stations will become the areas for transmitting to other stations, and the remaining area will become the area for receiving from other stations, in accordance with link area assignment. Owing to this, it is not possible to duplicate assigned areas on the same link system. A link area duplication error will be triggered if duplication does occur.

The same applies to link systems in which the first link and second link area are mixed. In this event, ensure that the first digit of the L, WL and DL numbers are not duplicated.

A duplication error will be triggered if the link areas are duplicated owing to a link started up after link operations are in progress, and link operations for the station in which the duplicated link area has been assigned will be terminated. The link operation status flag will be set at OFF in this case, but the link participation flag will not be set at OFF. Also, the link area data existing immediately prior to the error will be saved.

**(4) Link area data**

Data is read into the local station area in accordance with user programs during normal operations. This data can be amended if necessary and transmitted to other stations at refresh time intervals.

On the other hand, the contents of other station areas will be updated by the data transmitted from other stations at refresh time intervals. The details of the data transmitted from other stations are notified to the user when the contents are read with the user program.

Note: that it is not possible to set the link area for power cut storage.

**(5) Precautions related to link area data****1) When the power supply to the local station is switched on**

All data in the link area will be cleared by the system when the power supply is switched on. In addition to this, the execution timing of the user program started with the CPU's RUN command and the optical type CPU link module will participate in the link, and the data first transmitted from the local station to other stations at the start of operations will differ in accordance with the timing for transmitting from the local station to other stations and the time difference involved. The program should therefore be created while monitoring the special internal output link's operation status flag and the CPU status flag.

**2) When the local station's CPU is RUN**

The transmission area's data will commence from the value first updated. As the receiving area's data updates the data transmitted from other stations when the CPU is stopped during link operations in other stations, the data will commence from the value received from other stations when the RUN command is started.

Note: It is possible to clear the link area when the system is switched between RUN and STOP with the CPU module's special internal output (WRF07E) setting. When this setting is done, data of the transmitting area are cleared for a while by 0 at the timing when a CPU module did RUN. (Refer to the CPU Module Application Manual for further details on the WRF07E setting.)

**3) When the local CPU is stopped**

The transmission area will save the value most recently updated with the user program. In addition to this, the link area in other stations will continue to update the data transmitted from other stations when the link module is performing link operations. However, the area in other stations will save the data most recently received if the link module stops link operations.

Note: It is possible to clear the link area when the system is switched between RUN and STOP with the CPU module's special WRF07E internal output setting. The data in the transmission area when this setting is performed will save 0. (Refer to the CPU Module Application Manual for further details on the WRF07E setting.)

**4) When the power supply to the other stations is set at OFF, and when link operations are halted in other stations**

The receiving area in the local station will save the data most recently transmitted from the other stations without amendment.



### 4.3 Function for accessing other stations

It is possible to read, write and control the operations of monitor programs for other stations from peripheral devices connected to the CPU via the optical type CPU link module.

An example of this is shown in figure 4.6. This enables a peripheral device connected to the EH-150 communication port to operate and monitor a different CPU's program connected to the same link system.

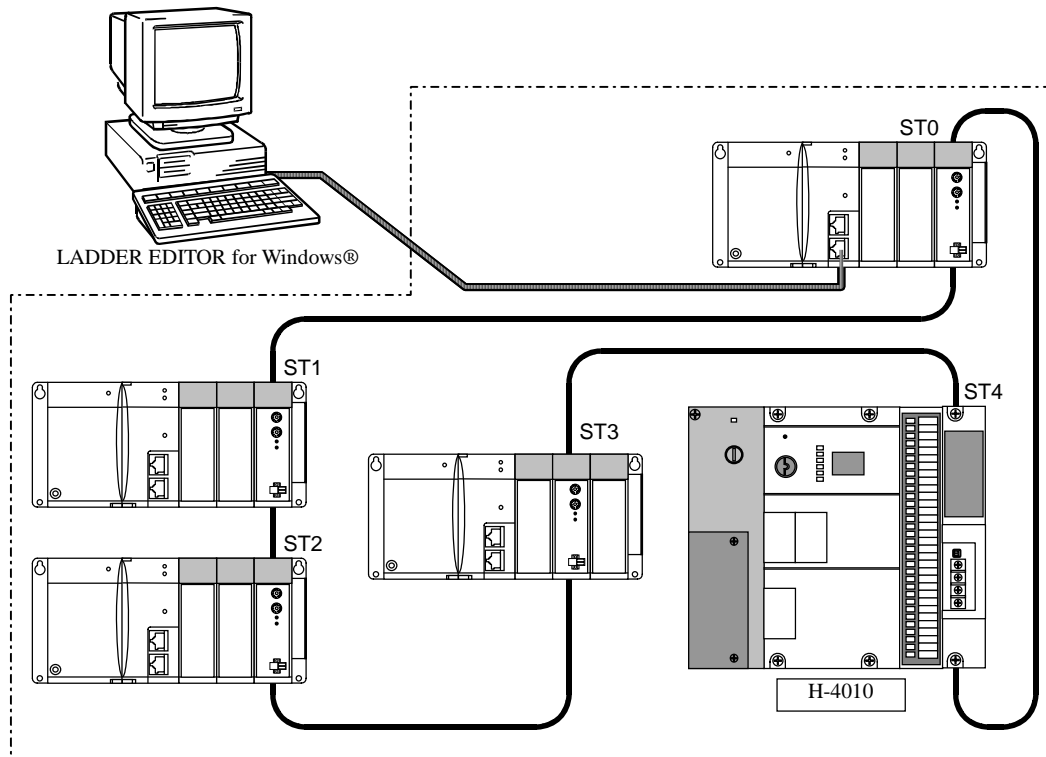


Figure 4.6 Accessing another station via the link module

However, peripheral devices can only access CPUs that are on the same link system (the same loop.)

Note: There are cases where another station's CPU cannot be accessed if an error occurs in the link module of the station connected to the peripheral device.

### 4.4 Link data refresh time

The amount of time required for the EH-150 optical type link module to update link data is calculated in the following manner. However, this is only a rough estimate and does not necessarily apply when transmission errors and other errors are triggered. As the refresh time is extended in these cases, close consideration must be applied when designing the system.

Link data refresh time =

Transmission CPU scan time + receiving CPU scan time + A + B x all station's assigned word count + C x slave station count + 20 (ms) \*

\* Slave station confirmation time (fixed): The slave station confirmation time is only added to the calculation if the number of participating units is less than 64.

The A to C values in the above equation are as follows:

Sign	Meaning	Time (ms)
A	Master station processing time	25
B	Processing time / word	0.04
C	Slave station fixed processing time	3.7

(Calculation example)

When ten links exist and each link area is assigned 50 words (scan time for each CPU 20ms, link transmission speed 1Mbps)

Link data refresh time = 20 + 20 + 25 + (0.04 x 50 x 10) + (3.7 x 9) + 20 = 138ms

## 4.5 Method of confirming link data validation

### 4.5.1 Link Error Flag Area

When reading area data assigned to other stations, it is necessary to confirm that each station's link module is operating normally and that the CPU is running correctly at the very least. The method for doing this is by monitoring the link operation station flags (WRF05E to WRF08E and WRF145 to WRF148) and the CPU status flags (WRF0E9 to WRF0F8 and WRF149 to WRF158) and confirming all are set at ON (normal operations) before reading the assigned area data.

Further details on the link error flag areas are provided below.

	15	14	13	12	11	10	9	8	7	6	5	4	3	2	1	0	*1
Local station error information*2	Undefined	(a)	(b)	(c)	(d)	(e)	(f)	Undefined	Disconnected station number								WRF0E0 / 140
	15	to														0	WRF0E1 / 141
Link participation flag (g)	31	to														16	WRF0E2 / 142
	47	to														32	WRF0E3 / 143
	63	to														48	WRF0E4 / 144
	15	to														0	WRF0E5 / 145
Link operation status flag (h)	31	to														16	WRF0E6 / 146
	47	to														32	WRF0E7 / 147
	63	to														48	WRF0E8 / 148
CPU status flag (i)	3			2			1			0							WRF0E9 / 149
	63			62			61			60							WRF0F8 / 158
Error status flag (j) *3	15	to														0	WRF0F9 / 159
	31	to														16	WRF0FA / 15A
	47	to														32	WRF0FB / 15B
	63	to														48	WRF0FC / 15C
Station 0 to 63 Error detail information	(k)	(l)	(m)	Undefined				Number of times transmission errors *4								WRF0FD / 15D	
	(k)	(l)	(m)	Undefined				Number of times transmission errors *4								WRF13C / 19C	
Refresh time (maximum)	(Unit: ms)																WRF13D / 19D
Refresh time (minimum)	(Unit: ms)																WRF13E / 19E
Refresh time (present)	(Unit: ms)																WRF13F / 19F

- (a): System bus error (1-error, 0-no error)
  - (b): Undefined
  - (c): Area error (1-error, 0-no error)
  - (d): Duplicate area error (1-error, 0-no error)
  - (e): Station number error (1-error, 0-no error)
  - (f): Transmission path disconnected (1-error, 0-no error)
  - (g): Number indicates the station number (1-participation, 0-non-participation)
  - (h): Number indicates the station number (1-operating, 0-stopped)
  - (i): Number indicates the station number (of the 4 bits, 1] 1-CPU error, 0-normal 2] Undefined 3] 1-HALT status, 0-other than HALT status 4] 1-running, 0-stopped)
- |    |    |    |    |
|----|----|----|----|
| 1] | 2] | 3] | 4] |
|----|----|----|----|
- (j): Number indicates the station number (1-error, 0-no error)
  - (k): Time out error (1-error, 0-no error)
  - (l): Frame error (1-error, 0-no error)
  - (m): Abnormal between CPU and link (1-abnormal, 0-normal)

\*1: The error information for link area #1 is stored in WRF0E0 to WRF13F, and the error information for link area #2 is stored in WRF140 to 19F.

\*2: These are cleared when the special internal output error clearance bit (R7EC) is set at ON, but the error information is not erased even when cleared with R7EC if the cause of the error is not resolved in the link module. In this event, resolve the cause of the error in the link module, press the reset switch on the module's main unit, and then clear the information with R7EC.

\*3: "1" is set in the error status flag's and error properties' (k), (l) and (m) when an error is triggered. "1" is set in (k), (l) and (m) when an error occurs during communication with another station's CPU with the use of a peripheral device.

\*4: The [Transmission Error Count] is the total amount of (k) or (l) error occurrences.



### 4.5.2 Example of Effective check of Link Data

Figure 4.7 shows the example which CPU module of link station No.0 checks the effective of link data (receive area) from other stations.

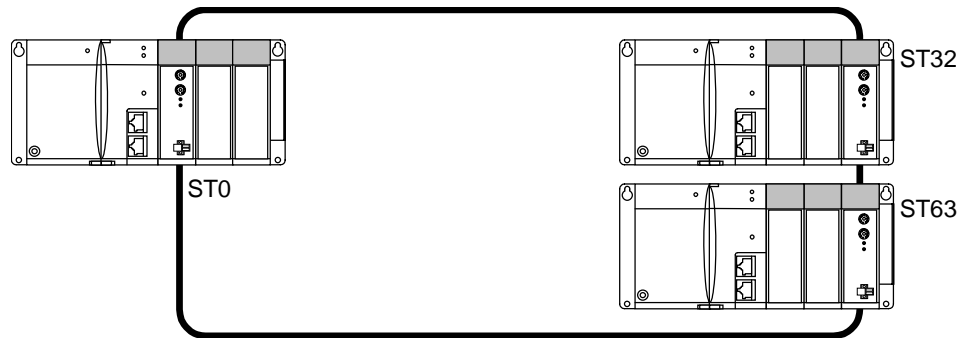


Figure 4.7 CPU link configuration

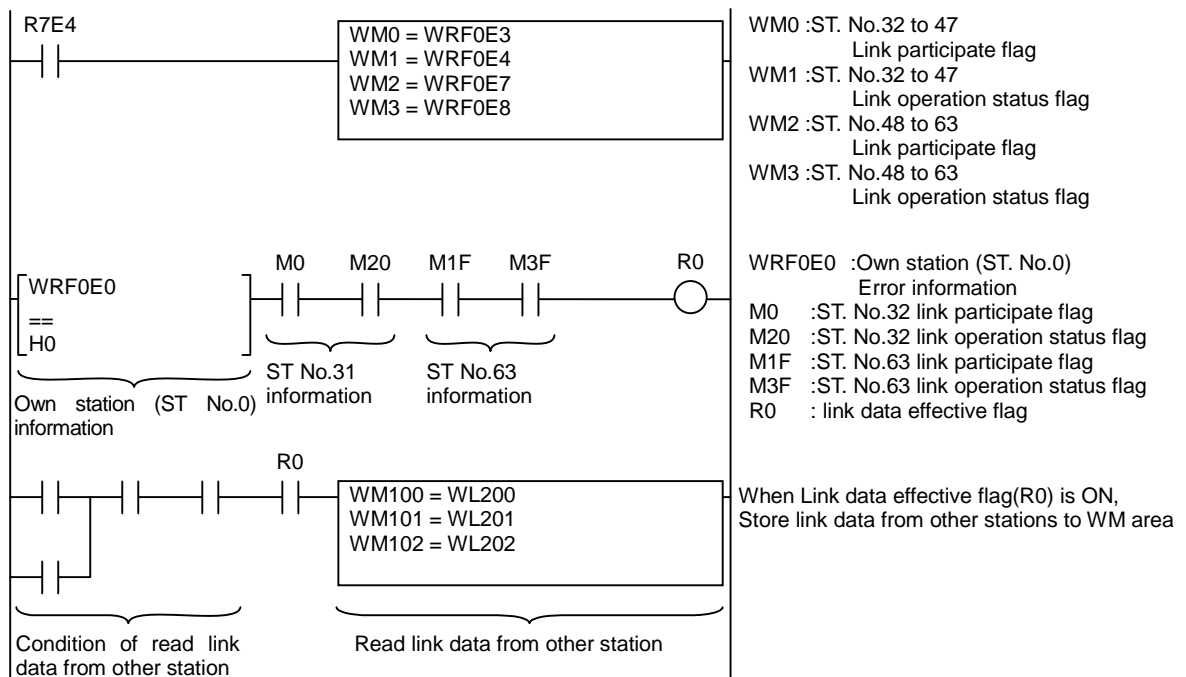


Figure 4.8 Program example of Link data effective check

#### < Program explanation >

- Read always the participate flag and link operation status of the link modules flag to WM0 to WM3.
- Extract information of stations used No. and construct AND circuits with own station error information.
- When ST No.0, 32, 63 are under normal operation, link effective flag(R0) turns ON.
- You can read link data from other station when link system is under operation by connecting the link data effective flag as AND circuit.

#### (Caution)

- This is one of example. You do not need your program as the same.
- When a link station power off and optical type link module is in by-pass mode, you do not read link data at the circuit including link data effective flag, The link data(WL, L) is renewed(the data from the link station which by-pass mode is kept the data when it moved by-pass mode), but it is not stored to WM area
- When a transmission route cut-off error occurs, the station No. which is cut is stored in own station error information(WRF0E0, WRF140). Even the error is disappeared, the information of the station No. is remained. To clear the error information of a transmission route cut-off error, eliminate the reason of error and push a reset switch of link module, then set R7EC ON.
- Link participate flag will turn ON when cable is not connected, or when a error occur at CPU link module(Duplicated Station No. etc.)
- Link operation status flag will turn ON when send area is not assignment at own station, or when send area is duplicated.

# Chapter 5 Installation and start-up

## 5.1 Installation

### 5.1.1 Installation position

The available slot for CPU Link module is slot 0, 1 or 2 of basic base at maximum 2 units.

By using EH-CPU516/548, CPU Link module can install in slot 0 - 2 on EH-BS3A, unit 0 - 4 on EH-BS5A unit 0 - 7 on EH-BS8A/11A.

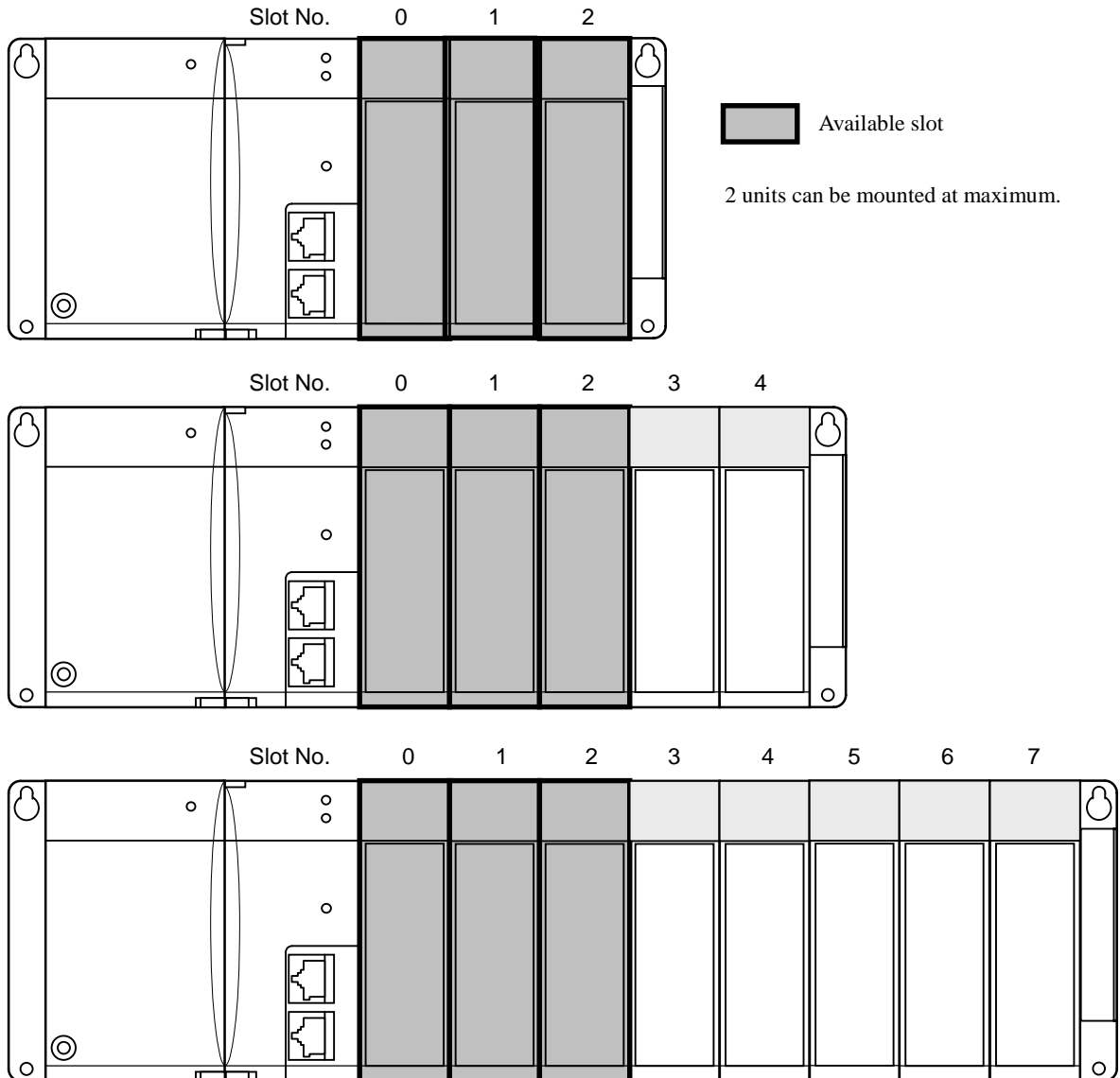
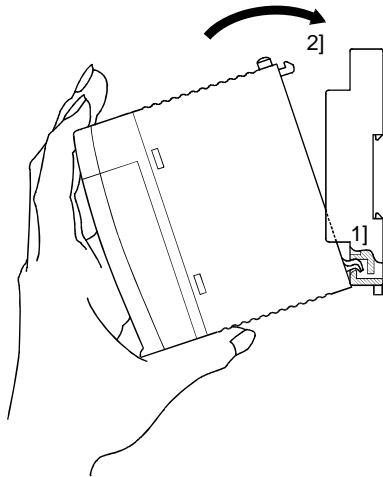


Figure 5.1 Example of optical type CPU link system configuration

Note : The actual limitation is up to 2 times of “CPU link” assignment module. Therefore if other link assignment modules, such as EH-RMP (Profibus DP master), is mounted together, only one more CPU Link module can be used.

### 5.1.2 Loading the Module

#### (1) Installing



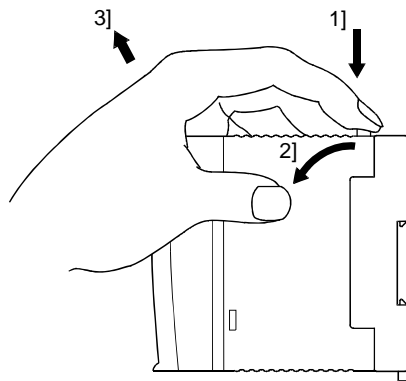
- 1] Hook the claw at the lower section of the module to the hole in the base.
- 2] Press in the upper side of the module until it clicks.

Note 1: After loading the module, check to make sure it does not come out.

Note 2: Load the power module at the leftmost side of the base unit.

Note 3: Load the CPU module and I/O controller to the left of the power module.

#### (2) Removing



- 1] Push in the lock button.
- 2] With the lock button pushed in, pull the top of the module toward the front.
- 3] Raise it toward the top and pull it out.

Note: For the power module, pull it out while pushing down the two lock buttons.

### 5.1.3 The connection of the optical fiber cable

An optical fiber cable is connected with the optical fiber connector at the bottom of the module.

The connection of the optical fiber cable is shown in the figure 5.2. Connect TxD with RxD on the companion side as shown in the figure, and make it one loop in the whole of the link. And, the length of the optical cable between the stations is maximum 1,000 m. And, the length (the total of the length of the cable between each station) of the whole cable is maximum 15,000 m.

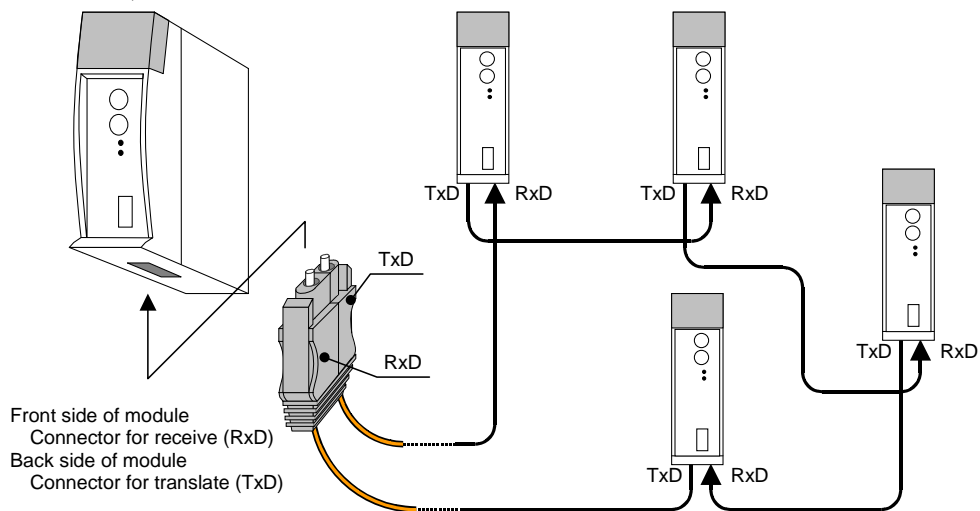


Figure 5.2 Link modules connected with optical fiber cables

### 5.1.4 The supply of 5VDC for the bypass function

Even if a power supply is turned off, the optical CPU link module equips the bypass function not to make a link system decline. You must supply 5VDC (No power failure) to the connector for the 5VDC supply from the outside to make a bypass function effective.

A precaution to supply 5VDC from the outside is shown in the following.

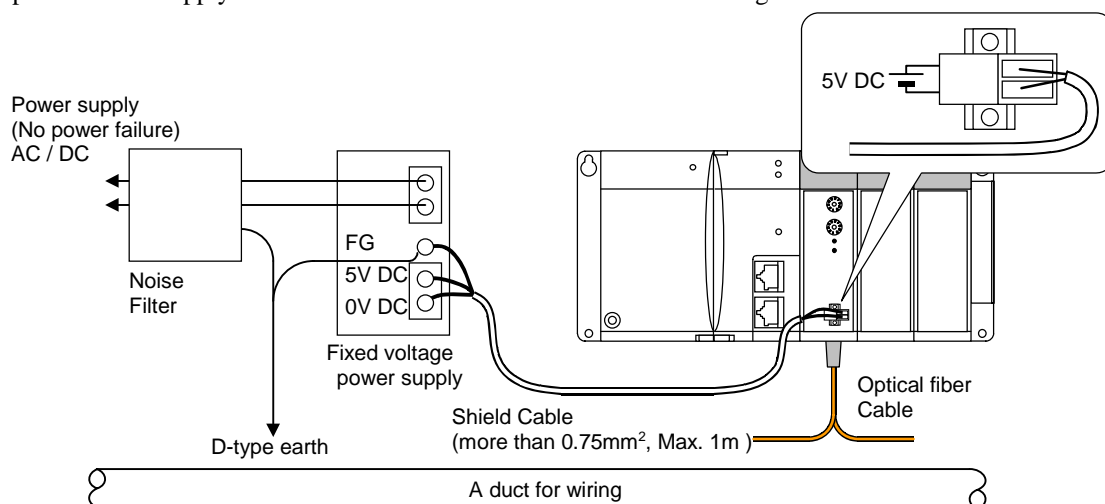


Figure 5.3 Wiring of power supply for bypass function

1. Supply a fixed voltage power supply to the module. ( Fixed output voltage 5V DC, Permissible variable range :  $\pm 10\%$ , Output current : more than 0.5A) And, use the power supply which has an over-voltage/over-current protection function as much as possible.
2. Use a power supply device for 1 base, and prepare for a power supply device in each base.
3. The wire for the power supply to the module is to use shield line. And, separate from other cables (in such cases as the one for I/O). (Connect shield to ground on the power supply side. )
4. The wire for the power supply to the module is to use the line of a thickness  $0.75\text{mm}^2$  and more. And, make length less than 1m.
5. Try to restrain mixing of the noise to the 5VDC line as much as possible. A noise filter is installed in the AC/DC line of the fixed voltage power supply device.
6. Adjust the establishment of the voltage of the power supply to become 5.00~5.20VDC on the connector side for the 5VDC supply of the optical CPU link module. (Voltage measurement is to use a digital volt meter and so on.)

### 5.1.5 Precaution in mounting

Optical fiber cable which connects the optical type CPU link module is different from the usual electric cable, and very delicate. When therefore handling is mistaken, optical fiber is sometimes made out. The permissible bending radius of the cable exists in optical fiber cable. Please secure the space to under the module. ( more than " Length of a connector (approx. 45mm) + Permissible bending radius" )

(As for Permissible bending radius, Please refer to the appendix .1.)

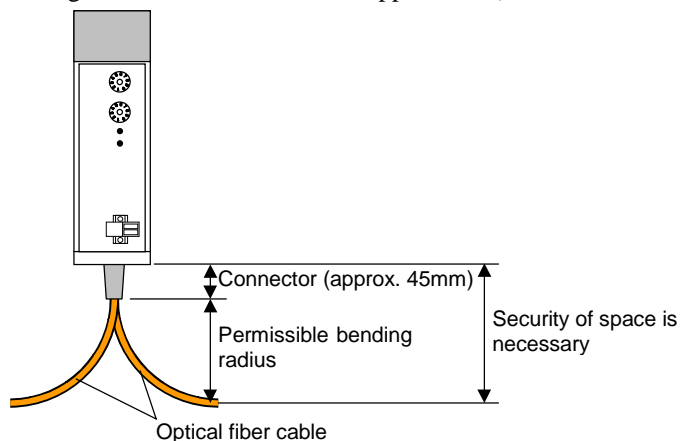


Figure 5.4 Wiring space of optical cable

## 5.2 Start-up

The procedure for starting up a link system is explained below.

1. Although there are no restrictions on the order in which the power supply to each station must be switched on when starting up a link system, link operations will not commence until the power has been switched on to station No.0 (the master station.) Create the program used for controlling and computing the link data after the master station's participation flag has been set at ON.

2. In order to check for duplications in the setup station No.s when starting up a link system for the first time, switch on the power supply to all stations other than No.0 first of all, and then switch on the power to station No.0 lastly. An error will be displayed for the duplicated station.

Link operations will not be carried out if a duplication occurs in the station No.s. Eradicate the duplicated station No., and then switch on the power to the link module base.

Note #1: There are cases where the following operations are performed when the power is switched on during link system startup if duplicated station No.s exist. Eradicate the duplicated station No., and then switch the power on again.

a ) When station No. 0 (master station) is duplicated

- None of the link modules will execute link operations.
- Only one of the duplicated stations will perform normal operations, and the ERR LED will blink at intervals of 0.5 seconds with the other station (link operations will not be performed.)

b ) When a station other than station No. 0 (master station) is duplicated

- The ERR LED in the stations for which the duplication exists will blink at intervals of 0.5 seconds.
- Only one of the duplicated stations will perform normal operations, and the ERR LED will blink at intervals of 0.5 seconds with the other station (link operations will not be performed.)

Note #2: There are cases where operating stations will detect a transmission route cut-off error if the power to multiple stations is switched off or cut off simultaneously, but this will be automatically restored and link operations resumed. Create a program to monitor the link participation flags and prevent the link data from being used during the period that participation flags are set at OFF.

## 5.3 Participating in and leaving link systems

If the number of the station connected to a link system and the link assignment settings are correct, it is possible for a link module to participate and leave the link during link operations.

Although participating in and leaving link systems is possible regardless of the master/slave station relationship, if the master station leaves the link using the wrong procedure, the station will effectively disappear and link operations will be terminated.

The procedures for leaving and joining the link during link operations, and the precautions that must be observed are listed below.

1 ) If the power supply to station No.0 (master station) is switched off after link operations have started, the master station transition process will be performed, and link operations will resume when this has been completed.

The No.0 master station authority will then be moved across to the next station with the smallest station No. (temporary master station in this event, and this will be repeated, with the next smallest station becoming station No.0 (temporary master station) whenever the power to the master station at that time is switched off. However, if the power supplies to the master station and the station with the next smallest station No. (temporary master station) are switched off simultaneously during operations, link operations will be terminated. In order to prevent the termination of link operations, it is therefore necessary to ensure that each station is switched off one by one when leaving the link system.

2 ) If station No.0 (master station) leaves the link by having its power switched off and then rejoins the link again, it will become a slave station (the temporary master station at that time will remain as the master station.) However, if the power to the temporary master station is switched off, station No.0 will become the master station as it has the smallest station No. of all slave stations.



# Chapter 6 Errors and error recovery

## 6.1 Errors

If an error occurs with the optical link module or an abnormality arises with the transmission route, the status display LED will indicate the error. The error information will also be set in the special CPU internal output related to the relevant link module (R7DE, WRF007, WRF0E0 to WRF19F.)

"1" will be set in the special R7DE internal output when the ERR LED for the link module is illuminated. The link module slot number on which the error occurs will be set in the special WRF007 internal output at this point. If multiple error modules or transmission routes exist, the small slot number will be reflected back. Note that once these values have been set in place, there will remain in existence until cleared with an enforced set/reset function from a user program or peripheral device. (As the special internal output stored in WRF0E0 to WRD19F is controlled by the system, it will not remain in existence.) Error information detected in the CPU module will be cleared by setting "1" in the special R7EC internal output.

Table 6.1 Description of Error displays

Contents	ERR LED	Error Information of own station WRF0E0* <sup>2</sup> WRF140* <sup>3</sup>	Details of errors in each station* <sup>1</sup> WRF0FD+St.No. * <sup>2</sup> WRF15D+St.No. * <sup>3</sup>	Timing of error detection	Timing of clearing error
Watchdog errors	Light	--	--	During microcomputer errors	- Switch on the power supply again. - Press the [RESET] switch.
ROM/RAM errors	Light	--	--	When the power is switched on, when ROM/RAM errors occur	
Transmission route cut-off	Blink (0.5s)	bit 8 ON	--	When the transmission route is cut off	- Switch on the power supply again. - Press the [RESET] switch. - During transmission route recovery.
Duplicate station No.	Blink (0.5s)	--	--	When station No.s are duplicated	- Switch on the power supply after the cause of the error has been resolved.
Station No. outside of range	Blink (0.5s)	bit9 ON	--	When the dip-switch settings are outside of the 0 to 63 range	- Press the [RESET] switch after the cause of the error has been resolved.
Duplicate link area assignment	Blink (0.5s)	bit10 ON	--	When link assignment areas are duplicated	- Switch on the power supply after the cause of the error has been resolved. - Press the [RESET] switch after the cause of the error has been resolved.
Link area outside of range	Blink (0.5s)	bit11 ON	--	When the link area specification from the CPU is outside of the range	- When the link modules detects that the error has been resolved.
Transmission error	Blink (1s)	--	bit14 ON	When a transmission frame error occurs	- Switch on the power supply again - Press the [RESET] switch.
Peripheral data receiving timeout	Blink (1s)	bit13 ON	bit13 ON	When a transmission time-out occurs during peripheral data transmission	- Press the [E.CRL] switch. - When the link modules detects that the error has been resolved.
Peripheral data sum error	Blink (1s)	bit13 ON	bit13 ON	When an abnormality occurs with the peripheral data sum value from the CPU	
Peripheral data address error	Blink (1s)	bit13 ON	bit13 ON	When an abnormality exists with the transmitting station No.	
Peripheral data response time-out	Blink (1s)	--	bit15 ON	When a response time-out occurs	

\*1: Error information will be set separately for each station. Refer to section 4.5 for further details.

\*2: The first link error information will be set.

\*3: The second link error information will be set.

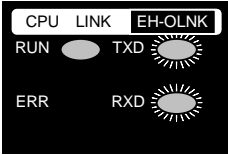
Table 6.2 Description of Error displays (Monitoring from CPU module)

I/O No.	Name	Contents																
R7DE	Link module is abnormal	0 : Normal 1 : Abnormal																
WRF007	Link abnormal slot number	I/O slot number different from parameter setting is stored <div style="text-align: center;"> <table style="border-collapse: collapse; margin: auto;"> <tr> <td style="padding: 0 5px;">15</td> <td style="padding: 0 5px;">12</td> <td style="padding: 0 5px;">11</td> <td style="padding: 0 5px;">8</td> <td style="padding: 0 5px;">7</td> <td style="padding: 0 5px;">4</td> <td style="padding: 0 5px;">3</td> <td style="padding: 0 5px;">0</td> </tr> <tr> <td style="border: 1px solid black; text-align: center;">"0"</td> <td style="border: 1px solid black; text-align: center;">a</td> <td style="border: 1px solid black; text-align: center;">b</td> <td style="border: 1px solid black; text-align: center;">"0"</td> <td colspan="4"></td> </tr> </table> <p>a : Unit number (0 to 2) b : Slot number (0 to 2)</p> </div>	15	12	11	8	7	4	3	0	"0"	a	b	"0"				
15	12	11	8	7	4	3	0											
"0"	a	b	"0"															

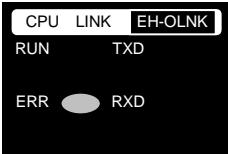
## 6.2 Error displays

The LED displays when the following errors occur are explained below.

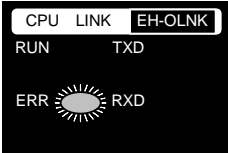
### (1) Normal operations (LED display status and module status)

	<p style="text-align: center;"><b>Status of LED indication &amp; Condition of Link Module</b></p> <p>The RUN LED lights. The TXD and RXD LEDs blink while link data is being transmitted to/from other link modules. The same display will apply when a [data link possible] error occurs.</p>
---	--

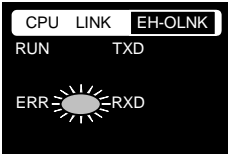
### (2) Hardware error (when watchdog timer errors and ROM/RAM errors occur)

	<p style="text-align: center;"><b>Status of LED indication &amp; Condition of Link Module</b></p> <p>The ERR LED lights. Communications with other link modules will not be performed.</p>
---	--

### (3) Configuration error (duplicated station No.s, station No.s outside of the permissible range, etc.)

	<p style="text-align: center;"><b>Status of LED indication &amp; Condition of Link Module</b></p> <p>The ERR LED blinks every 0.5 second. (0.5s ON / 0.5s OFF) Communications with other link modules will not be performed.</p>
---	--

### (4) Communication error (transmission errors, peripheral data receiving errors, etc.)

	<p style="text-align: center;"><b>Status of LED indication &amp; Condition of Link Module</b></p> <p>The ERR LED blinks every 1 second. (1s ON / 1s OFF) Communications with other link modules temporarily suspended. (Communications with other link modules will not be performed if the same error occurs frequently.)</p>
---	--

## 6.3 Clearing errors

The link module error will be displayed in the ERR LED and the CPU module's special internal output (WRF0E0 to WRF19F.) The methods of clearing each of these errors are explained below.

### (1) Clearing the ERR LED display

Eradicate the cause of the error, and then press the error display clearance switch or the reset switch on the front of the link module.

Note #1: The ERR LED will not be extinguished if the error display clearance switch is pressed without eradicating the cause of the error. Also, the error display clearance switch is only for clearing the ERR LED display, and it will not clear the CPU's special internal output area explained in item #2.

Note #2: The CPU module will detect a [Link Module Error] when the reset switch is pressed.

### (2) Clearing the CPU module's special internal output

The information relating to errors contained in the special internal output is cleared by setting the CPU module's special R7EC internal output to ON when errors occur. The link module's local station error information (WRF0E0 and WRF140) is cleared in the same way.

Note #3: If the cause of the error is not resolved, the information remaining in the link module will not be cleared even when R7EC is set at ON because it is overwritten into the CPU module. In this event, resolve the cause of the error in the link module, press the reset button, and then set R7EC at ON.

## 6.4 Troubleshooting

This section provides a flowchart on the procedures for troubleshooting when recovering errors and when errors occur.

As the CPU link module is equipped with a bypass function, it is possible to replace modules with units other than link modules without amending the architecture of the link system. (Note that it is necessary to terminal link system operations temporarily when replacing link modules.)

\* You must supply 5VDC from the outside to make a bypass function effective.

### 6.4.1 Self-diagnosis errors

It is possible to detect errors and make recovery decisions with the use of the link module's ERR LED when errors occur with link modules. In addition to this, '59H' (link module error) is set in the special WRF000 internal output (self-diagnosis error code) of the CPU module onto which the link module has been installed when errors occur.

### 6.4.2 Error troubleshooting by error

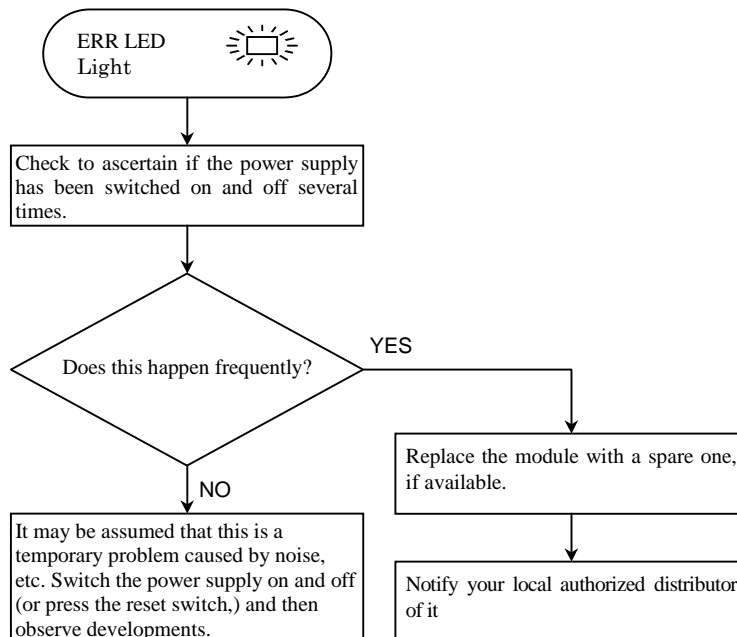
The procedures for resolving each type of error are explained below.

When station No.0 is not exist, the link operation will not start but own error information(WRF0E0, WRF140) is H0000. Namely, the information of no station No.0 is not stored in own error information.

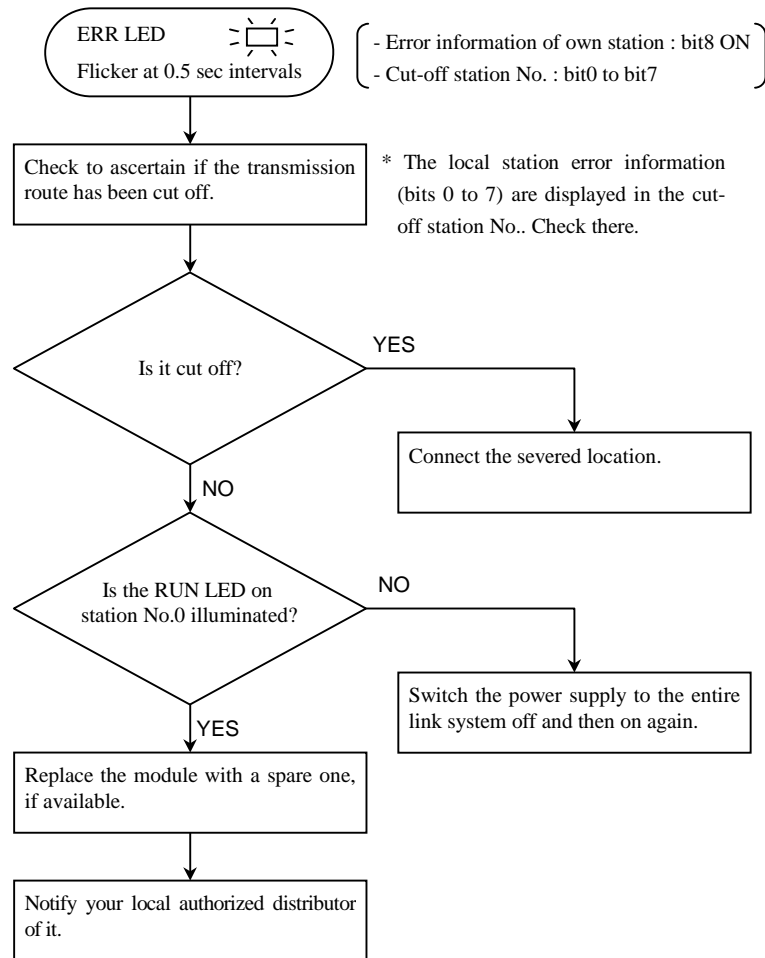
At this time, RUN LED turns off or flickers every 0.5 s.

Before the check by below flow chart, confirm if station No.0 exists.

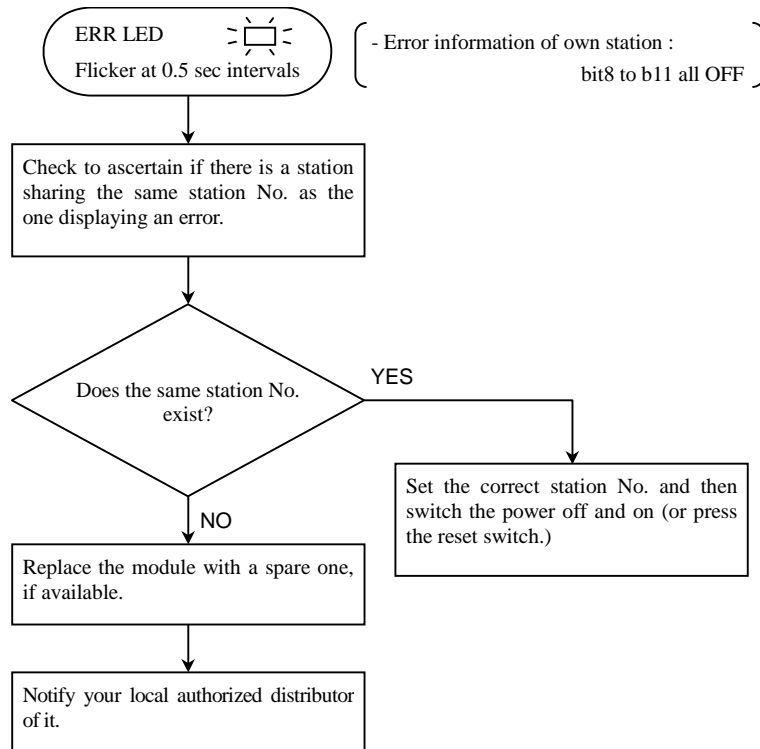
#### (1) Watchdog timer errors, ROM/RAM errors



\* The CPU module will detect a "Link Module Error (error code: 59H)" when the reset switch is pressed. Resolve the CPU module error after the link module resumes normal operations when the reset switch has been pressed.

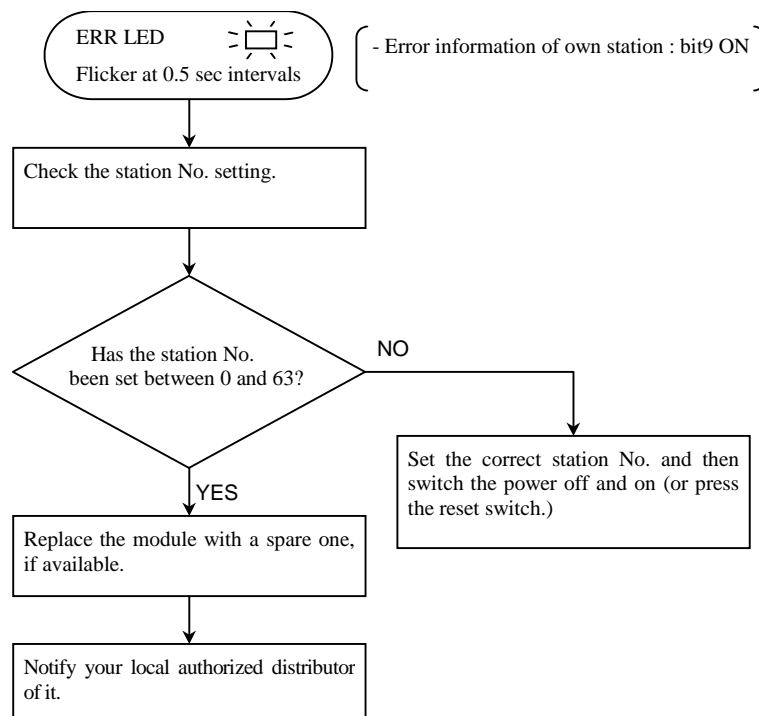
**(2) Transmission route cut-off**

- 1 ) The data prevalent immediately prior to cut-off located in the receiving area assigned by other stations will be saved when a cut-off occurs.
- 2 ) Check the transmission route (between the RXD and other station) displayed in bits 0 to 7 of the local station's error information.
- 3 ) The transmission route cut-off error is not only triggered by the transmission route being cut off, it can also be triggered by the power supplies to link modules that share duplicated stations numbers being switched off simultaneously.
- 4 ) There are cases where a transmission route cut-off is detected by operating stations during cut-offs caused by the power supplies to multiple stations being switched off simultaneously, resulting in suspended link operations, but this will be automatically restored and operations resumed.
- 5 ) If the power supply to station No.0 (master station) is not switched on when the link is started up, the other stations will detect a transmission route cut-off error and link operations will not commence. The transmission route cut-off error will be cleared when the power to station No.0 (master station) is switched on, and link operations will commence.

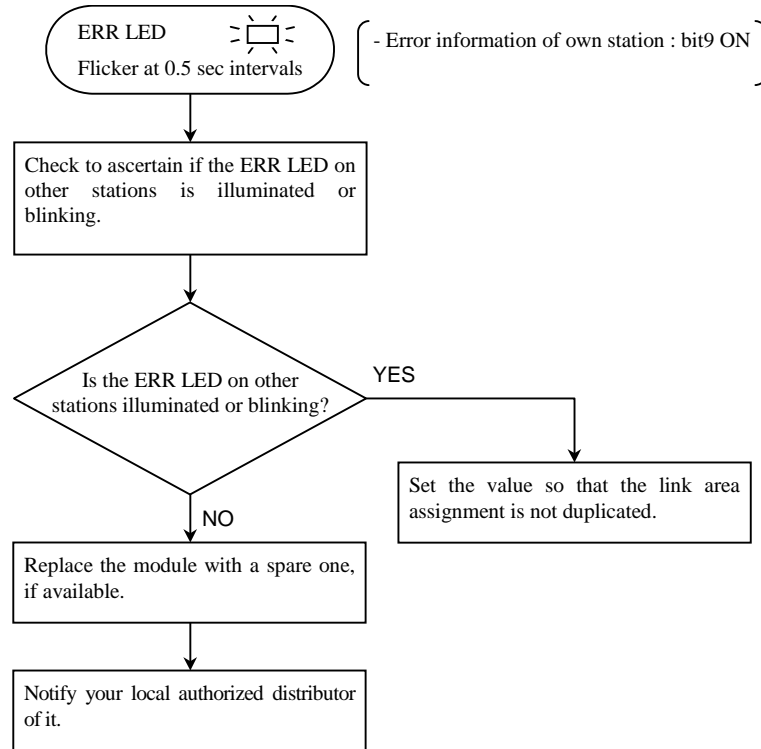
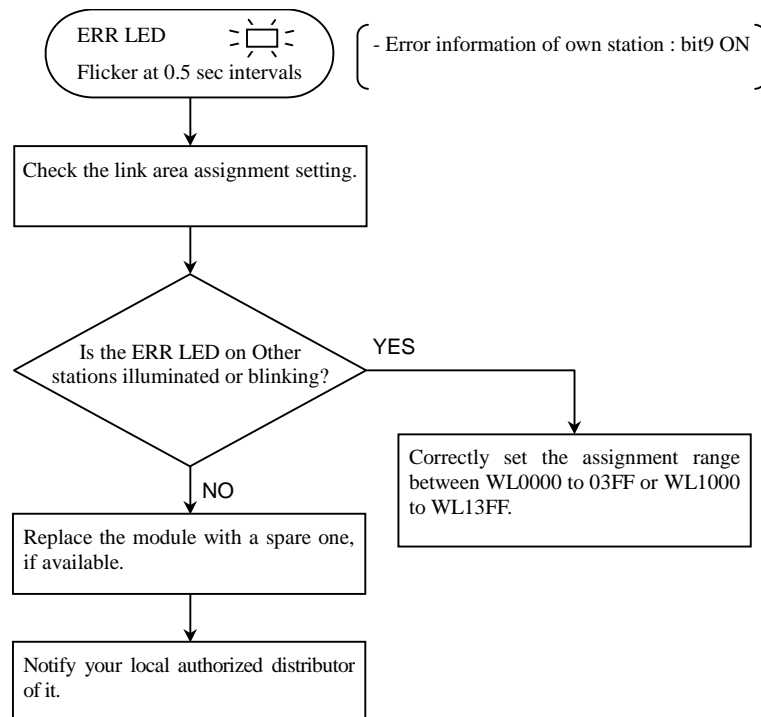
**(3) Duplicated station No.s**

\* The CPU module will detect a "Link Module Error (error code: 59H)" when the reset switch is pressed. Resolve the CPU module error after the link module resumes normal operations when the reset switch has been pressed.

- 1 ) A station No. error will be detected if the power to a link module that shares the same station No. with a link module that is operating normally is switched on.
- 2 ) The station No. duplication error will not be detected if the power supplies to link modules that share the same station No. are switched on simultaneously. In this event, a transmission route cut-off error will be detected.

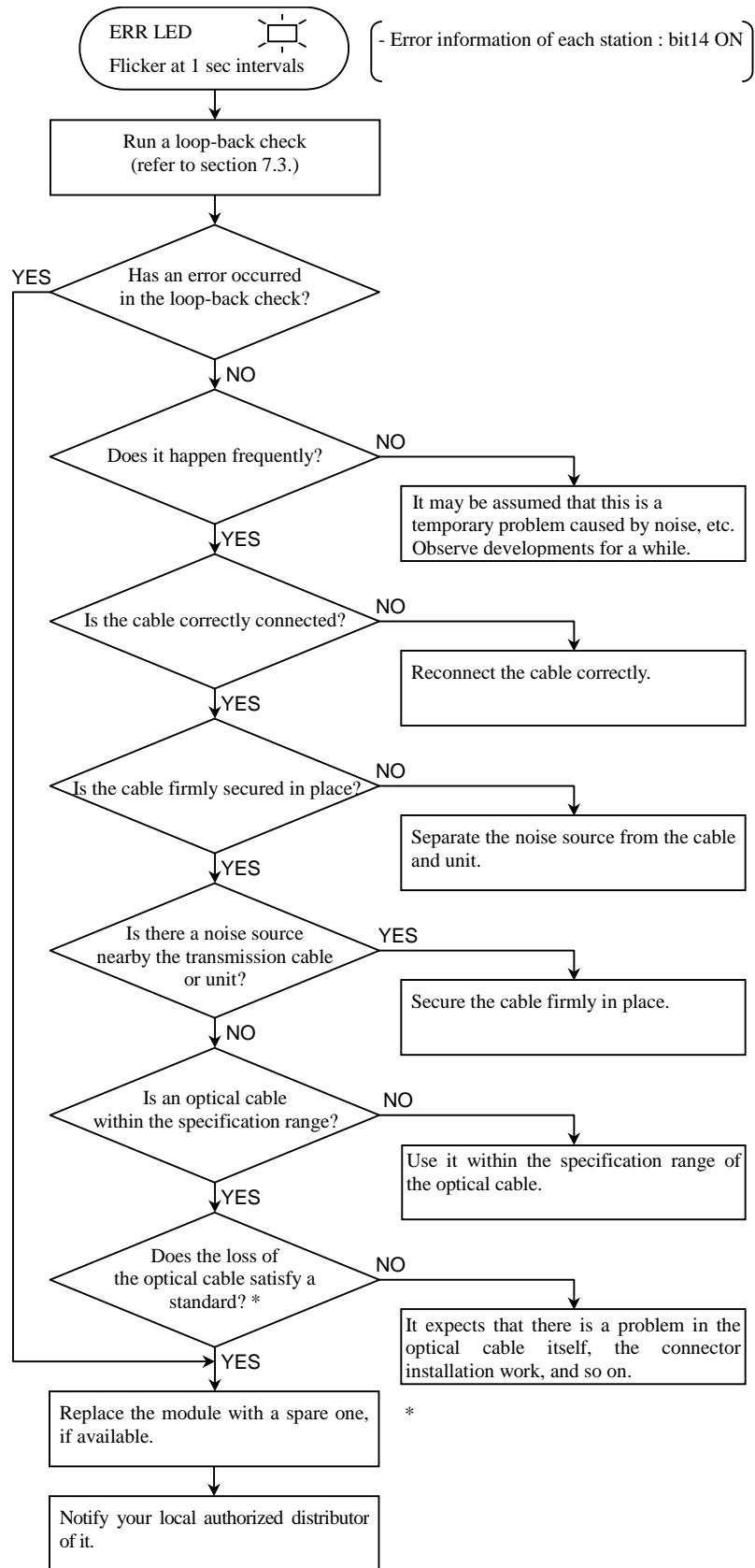
**(4) Outside the station No. range**

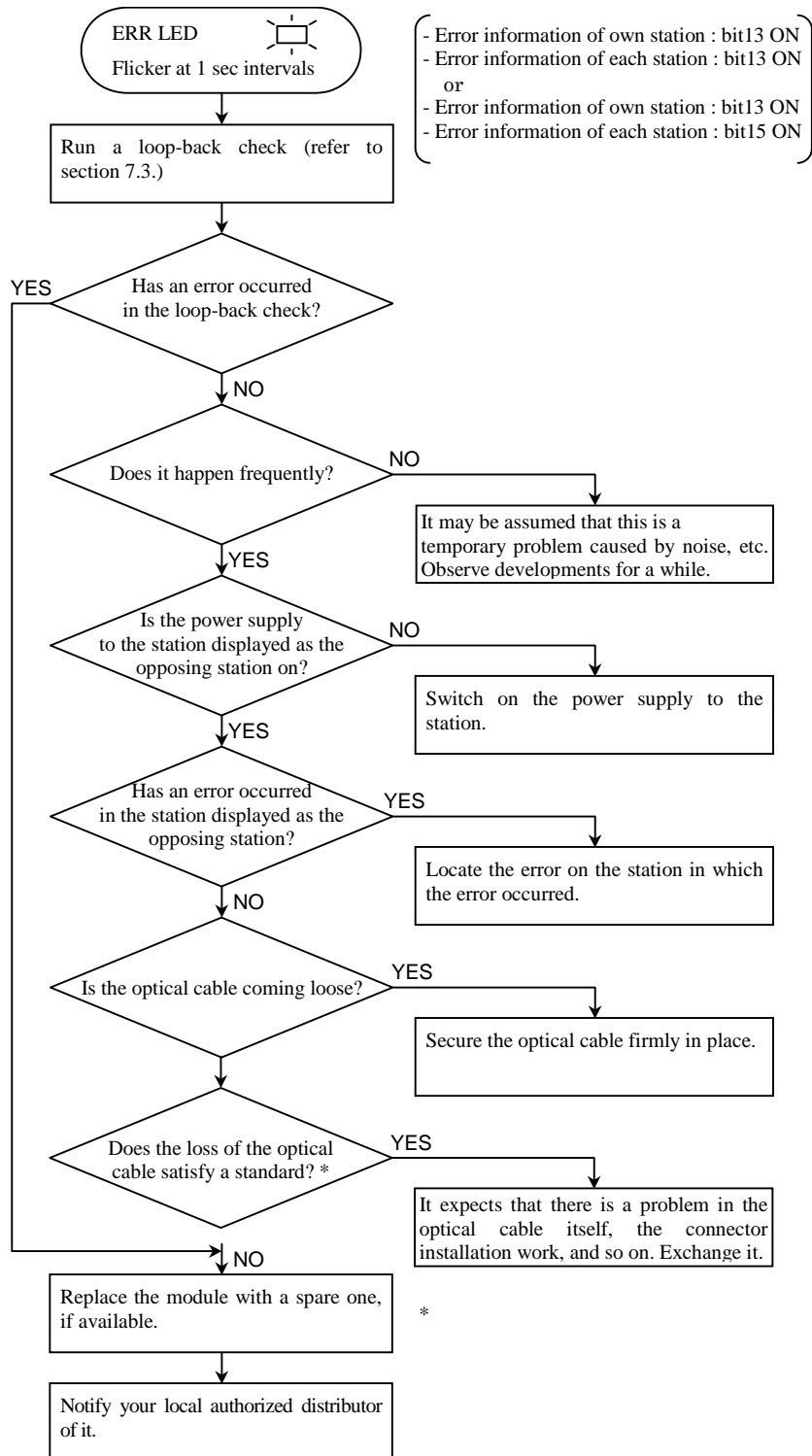
\* The CPU module will detect a "Link Module Error (error code: 59H)" when the reset switch is pressed. Resolve the CPU module error after the link module resumes normal operations when the reset switch has been pressed.

**(5) Link area assignment duplication****(6) Outside the link area assignment range**

Note: As a check is run on link area assignments being outside of the permissible range in programming devices when assignment is performed, this error will not occur under normal circumstances.

**(7) Transmission error (CRC error, overrun)**



**(8) Peripheral data receiving time-out, sum error, address error, response time-out**

A transmission time-out error is triggered in the peripheral device when an error occurs or the power is switched off in the opposing link module during the sending and receiving of data with other stations.

**(9) Link power supply cut-off**

The data prevalent immediately prior to the power supply being switched off contained in the receiving area of other stations that are receiving data from the cut-off station will be saved when the cut-off error occurs during operations.



# Chapter 7 Maintenance and Inspections

## 7.1 Daily inspections

Check the following items to ensure the operational status of the equipment. Refer to Chapter 6 (Error Displays and Troubleshooting) for further details on errors.

Table 7.1 Daily inspection items

Item	LED	Normal	Abnormal	Error cause
Link system participation status	RUN LED	ON	OFF	Depending on each error display.
Error display LED confirmation	ERR LED	OFF	ON or Blinking	
Data transmission and receiving	TXD LED RXD LED	Blinking	ON or OFF	

## 7.2 Regular inspections

Check the following points without any power applied for both I/O signals and power line.

Table 7.2 Regular inspection items

Item	Method
Check whether the transmission cable connector is tightened firmly.	Tighten
Check whether the case and connectors are clean.	Remove dusts by a vacuum cleaner
The confirmation of the outside 5VDC input voltage.	Measure the voltage of the connector for the 5VDC supply by the digital volt meter, and adjust it so that a measurement voltage may become 5.00V DC to 5.20V DC.
Readjust at the time of the voltage range outside.	

Perform the regular inspections once every six months. The inspection cycle may be speeded up in accordance with the environment in which the modules are installed.

## 7.3 Loop-back check

Run a loop-back check in accordance with the procedure explained below when normal operations are not possible during test operations of the link system, and when errors occur after start-up, resulting in link system operations being suspended. Note that link system operations must be suspended before the loop-back check can be run. The cable used for the loop-back check must be prepared by the user.

- 1) Set the station No. setting switch on the optical link module to be checked at "90".
- 2) Connect the loop-back check cable.

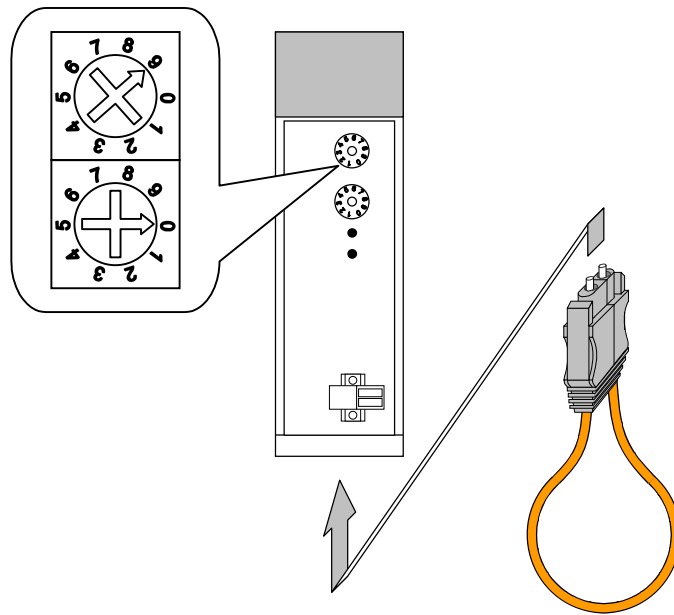


Table 7.1 Loop-back check preparations

- 3) Switch on the power supply, and then switch the reset switch from ON to OFF while pressing the link module's error display clearance switch. The RUN LED will blink twice if the loop-back check mode has started up normally.
- 4) The link module's RUN LED and ERR LED will change as follows.

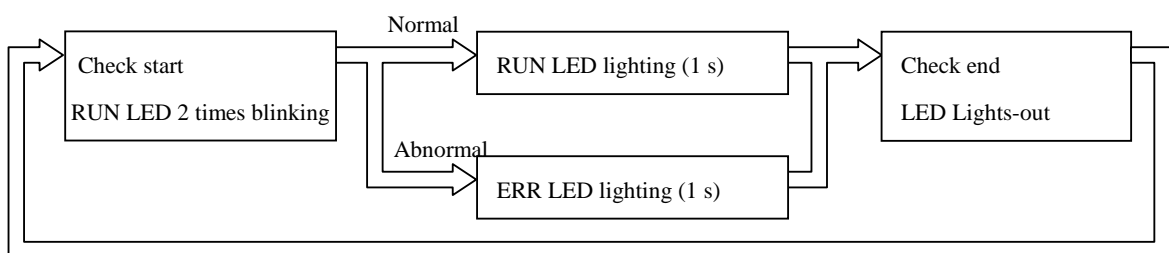


Figure 7.2 Loop-back check operations

\* Contact our service department if an error is detected.

# Appendix Optical Cable

## Appendix.1 CA Connector ASSY The designated method in the purchase

HITACHI recommends the optical fiber cable specified as follows, which is produced by HITACHI hybrid network.

Refer to the following model code for ordering.

### ■ Many ingredients glass fiber cable

Product Name : CA7103 – [1]M – [2]L[3]1

[1] Cable length	less than 100 m:Integer times of 5 m over 100 m:Integer times of 10 m
[2] Cable type	A ,B,C,D
[3] Code numbers	1 to 4

A designated method is the following 7 form.

CA7103-[1]M-AL11 CA7103-[1]M-BL11 CA7103-[1]M-CL11

CA7103-[1]M-DL11 CA7103-[1]M-DL21 CA7103-[1]M-DL31 CA7103-[1]M-DL41

### (1) Application division of optical fiber cable

Division		Kind of cable	TYPE A	TYPE B	TYPE C	TYPED
			Inside a unit	Indoors	Outdoors	Outdoors
Indoor environment	Indoor conduit	--	*1	*1	✓	
	Rack	✓	✓	✓	✓	
	Channel	*2	*2	✓	✓	
	Duct	*2	*2	✓	✓	
	Free access	*2	*2	✓	✓	
Outdoor environment	Underground conduit	--	--	*1	✓	
	Aerial	--	--	--	*4	
	Rack	--	--	✓	✓	
	Trough	--	--	*2	*3	
	Direct burried	--	--	--	--	
	Underwater environment	--	--	--	--	

✓ : Suitable \* : Conditionally suitable -- : Unsuitable

\*1 : Cable must be installed along a route specifically designed for optical communication.

\*2 : Bent sections in contact with edges must be specially protected.

\*3 : Cable must not be underwater.

\*4 : Cable must be installed alongside a support wire.

### (2) Specification

Item	Type A Panel inside	Type B Indoor	Type C Outdoor	Type D Outdoor	Unit
Operating temperature	- 10 to 70				°C
Cable permission tension	10 max	10 max	10 max	160 max	N
Assy permission tension *	3 max	3 max	3 max	3 max	N
Permission bending radius	50 min	60 min	60 min	110 min	mm
Permission compression strength	10 max	10 max	10 max	15 max	N/cm
Connector connection loss	2 max	2 max	2 max	2 max	dB
Core	Fiber kind Many ingredients glass fiber (step index type)				-
	Core diameter 200				μm
	Clad diameter 220				μm
	Transmission loss L : 12				dB/km
	Transmission band 5 min				MHz·km
Code external sheath	PVC color: Orange				—
Cable external sheath	—	PVC color:Orange	PVC color:Black	PE color:Black	—
Cable section structure	Refer to the following				—
Conformity connector	CA7003(2 core), CA7103(1 core)				—

\* Permission tension between Connector and Cable

(3) Cable section structure

Kind of a cable	Section structure			
Type A				
Type B				
Type C				
Type D (Type B by GI type)	 1 Core x 1	 1 Core x 2	 1 Core x 3	 1 Core x 4

■ Quartz glass fiber cable

Refer to the following model code for ordering.

A type single-core: CA9103S-[1]M-AL11

B type single-core: CA9103S-[1]M-[2]B

[1] Cable length      less than 100 m      Integer times of 5 m  
 over 100 m      Integer times of 10 m

[2] Code number      2:2-cores(single-core x 2) 4:4-cores(single-core x 4)

Appoint "-625" in form with an optical fiber cable for EH-OLNKE.

Ex. CA9103S-[1]M-AL11-625

(2) Specification

Item	Type A		Type B	Unit
	Indoor		Outdoor	
	1-core	2-core	1-core	
Operating temperature	- 10 to 70			°C
Cable permission tension	196 max		294 max	N
Assy permission tension *	3 max			N
Permission bending radius	40 min		110 min	mm
Permission compression strength	10 max		15 max	N/cm
Connector connection loss	1.5 max			dB
Core	Fiber kind      Quartz glass fiber (graded index type)			
	Core diameter      50(for EH-OLNKG)/62.5(for EH-OLNKE)			
	Clad diameter      125			
	Transmission loss      L : 3			
	Transmission band      200 min			
Code external sheath	PVC			—
Cable external sheath	—		PVC color:Black	—
Cable section structure	Cable section structure is the same as SI200/220 cable.			—
Conformity connector	CA9003S(2 core), CA9103S(1 core)			—

\* Permission tension between Connector and Cable

## Appendix.2 General precautions in handling optical fiber cables

You might break the fibers of optical fiber cables if you handle the cables in the same way as conventional cables. To prevent this, observe the following precautions.

- (1) Do not bend the cables excessively.

The bending radius must be more than 10 times the outer diameter during installation; otherwise, the optical loss would increase and fibers break.

- (2) Do not squeeze the cables.

Squeezing the cables damages the outer sheath and break the fibers, be very careful about doors and equipment edges.

- (3) Do not twist the cables.

Do not give one meter of cabling more than one twist in installation as this might increase the optical loss and break the fibers.

- (4) Do not pull on the optical connectors when installing the cables.

The cables are built around the optical connectors. These connectors are precision equipment which is prone to damage due to external shock and tension stress.

- (5) Do not pull on the cables with excessive force.

The allowable tension stress depends on the type of cable. Check the stress limits before installation, and install the cables with tension stress below the limit.

- (6) Do not place heavy things on the cables.

Do not place heavy things on the cables (do not step on them) as this might increase the optical loss and break the fibers.

About the details of installation points, please refer to the following instructions which OpNext Japan, Inc. publishes.

- Optical fiber cable installation guide
- Optical fiber cable installation procedure
- CA7103 Cable assembly specification
- Optical connector assembly tools CT7001 Assembly guide

## Appendix.3 The method to measure the optical loss level.

- (1) About the level of transmission optical power and loss of the optical fiber

The allowable value of the optical loss of the optical cable is calculated with the following equation.

$$\begin{aligned} \text{The allowable value of the optical loss} &= \text{The allowable value of the optical loss of the optical cable} \\ &\quad - \text{Optical sending level} - \text{Optical receiving level} - \text{room level} \\ &= (-17) - (-32) - 3 \\ &= 12 \text{ (dB)} \end{aligned}$$

The optical sending level of sending LED on the sending side. --- -17 dBm

The optical receiving level of receiving photo on the sending side. --- -32 dBm

The room level when the light source of sending LED became a half. --- 3 dB

If the loss of the optical cable is within 12(dB), it can be judged that it is good from the above equation.

- (2) How to measure the optical loss of the optical cable by the optical meter

[1] The measurement wavelength of the optical meter is fitted to the sending light source wavelength.

( Example ) Optical meter    Maker : SOAR

  Type    : MODEL 1805

  Light source wavelength --- 850 nm range

“dBm”, “850 nm” are set up with the optical switch. (The “x” part of the Fig A.1.)

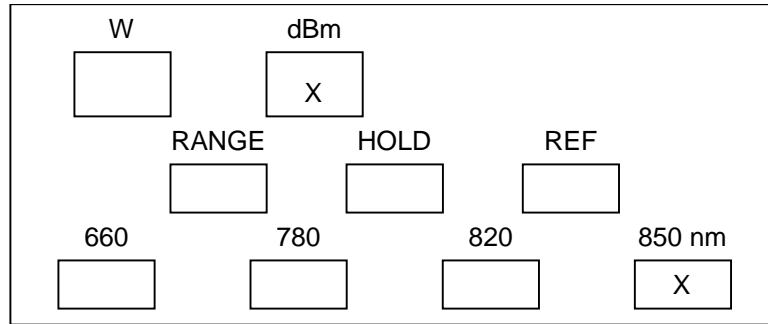
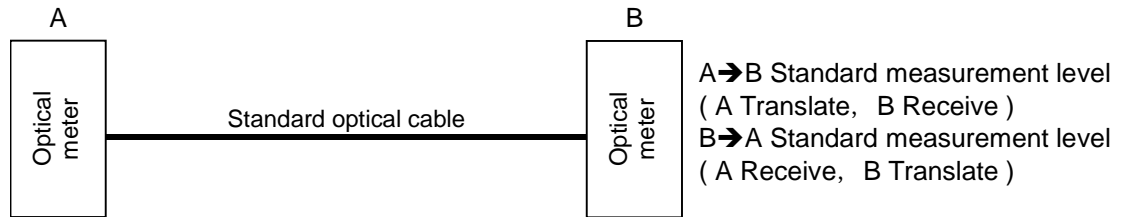
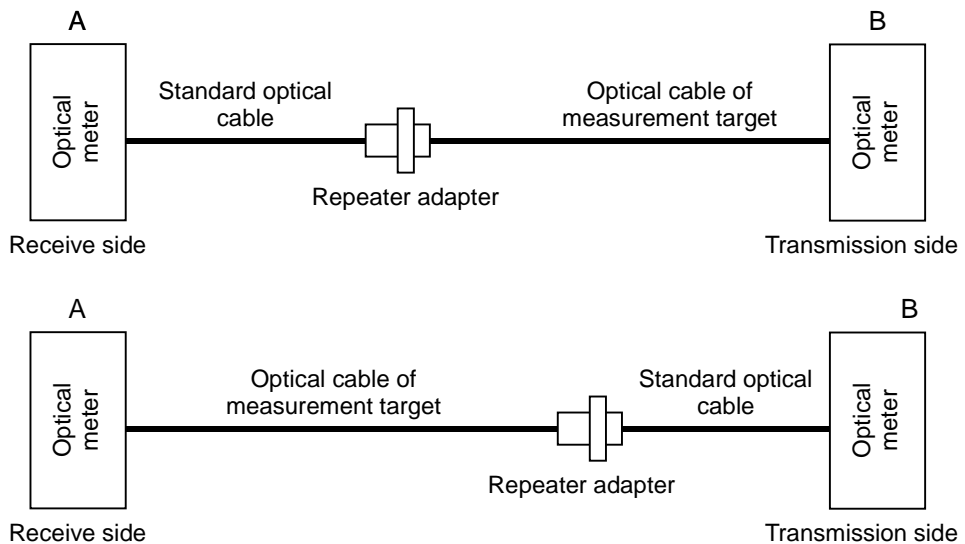


Fig. A.1 Arrange of the switch for optical meter setting

[2] Measure the optical cable ( Standard length: 1 to 2 m )



[3] Measurement of optical cable of measurement target



- 1) A → B measurement target level
- 2) B → A measurement target level  
( loss level of repeater adapter --- ≤ 2 dB)

[4] Judgment of measurement result

- 1) A → B loss of target optical cable =  
(A → B Standard measurement level) - (A → B Target measurement level)
- 2) B → A loss of target optical cable =  
(B → A Standard measurement level) - (B → A Target measurement level)

It is judged that it is good if the loss of each target optical cable is within 12dB.

But, the loss of the optical cable is the rate of 12dB/km. Confirm whether it is the loss level which corresponded with the distance, too.

[5] Simple method

A standard optical cable to use with the process 1) is measured as less than 1m.

In the process 3), A standard cable isn't connected, and it is measured only with the target optical cable.

It is judged if a loss is within 12dB.